

INDUSTRIAL PLUGS & SOCKETS



VERSIONS AVAILABLE

The CEEGO range conform to EN 60309-1 and EN 60309-2 and consists of plugs, sockets, connectors, switched interlocked sockets and multi socket units.

The plugs sockets and connectors are available in both IP44 and IP67 versions. The socket range has both panel and surface mounting products.

The switched interlocked socket range is particularly suited to heavy industrial installation. There are units with combinations of MCB, RCD and fused protection. In addition there are special units for power station applications including earth monitoring.

Twin sockets are housed in both metal and insulated casing. They can be used as trailing or wall mounting sockets. They are available in IP44 or IP67.

GENERAL DESCRIPTION

The CEEGO range, in both single and 3-phase, is manufactured in current ratings of 16, 32, 63 and 125 amperes.

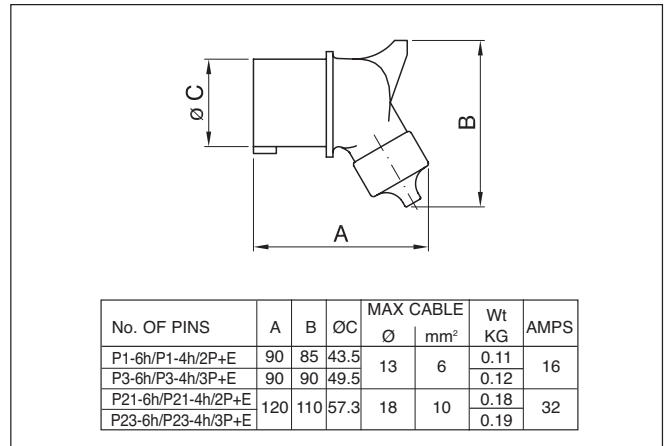
The CEEGO multi-socket outlets comprise insulated sockets mounted on an insulated box, the design and construction of which is suitable for the arduous conditions of industrial applications.

The maximum load for each units is:

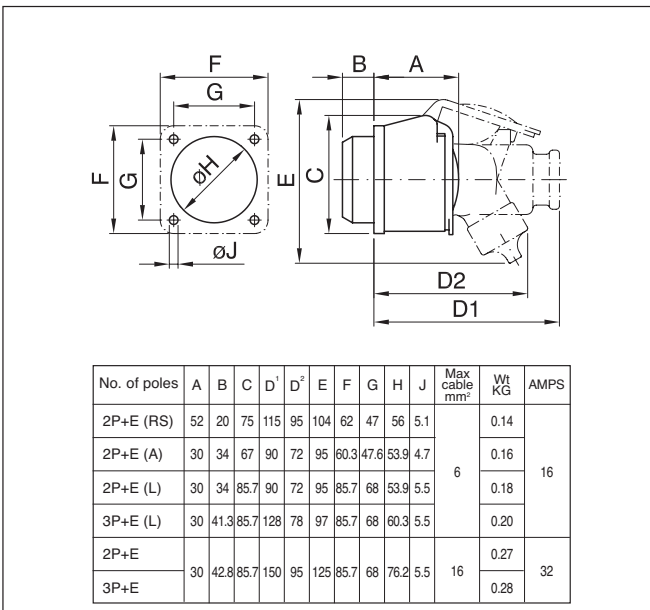
- 2 way - 32 amperes
- 3 and 4 way - 40 amperes

Other arrangements of voltage/frequency can be provided to meet specific requirements.

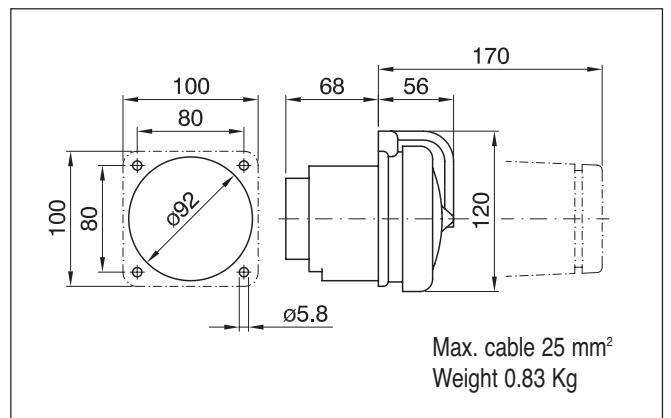
ANGLE ENTRY PLUGS



SOCKETS SQUARE FLANGE (16A and 32A)



SOCKETS SQUARE FLANGE (63A)



TWIN SOCKETS

BRIEF GUIDE NOTE AND TYPICAL APPLICATIONS



Caravans and Marinas

Normal supplies are via 16 Amp 240 Volts 2P+E (Blue) devices. Both splashproof and watertight are used dependent on location and housings

Construction sites

16 Amp 110 Volt 2P+E (Yellow) devices are the norm for hand tools and temporary lighting. Splashproof units are widely used. A full range of construction site electrical equipment is available.

Refrigerated containers

32 Amp 440 Volt 3P+E (Red) 3 hour position units are the international standard.

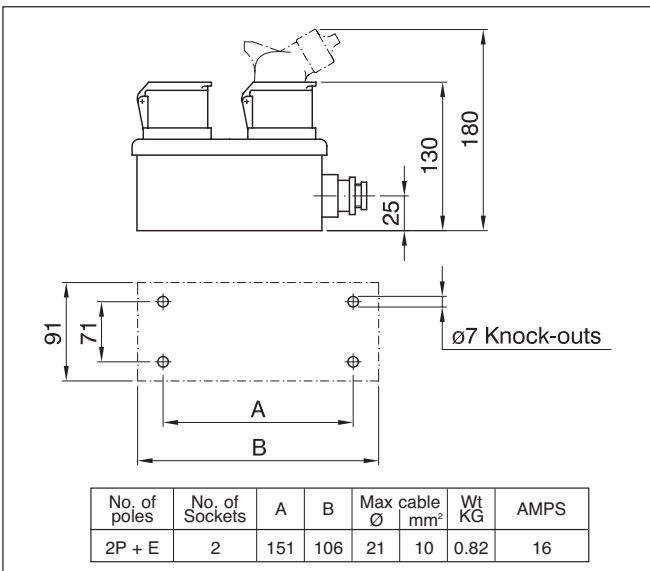
CEEGO interlocks

Those units fitted with Din rail are for mounting RCCB's and MCB's of the customers choice.

Residual Current Circuit Breakers (RCCB)

Standard units have 30mA sensitivity.

INSULATED HOUSINGS



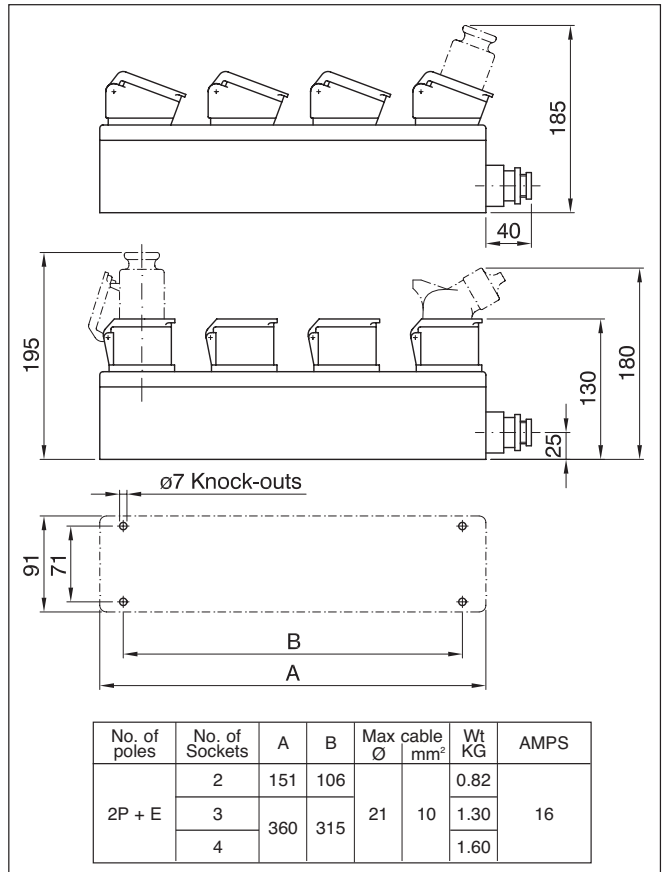
Protection degree

Splashproof units to IP44 give protection against solid bodies larger than 1 mm and projections of water from all directions. These devices are suitable for most indoor uses and non-continuous outdoor use. Where dust and moisture are normally present devices to IP67 should be selected.

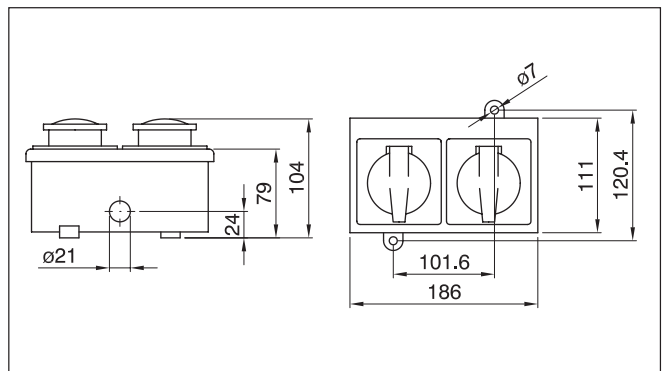
Watertight units to IP67 give complete protection against dust and the effect of immersion.

All watertight units have nickel plated current carrying parts for increased corrosion protection. Pilot pins are standard on 63A and 125A devices.

MULTI-GANG SOCKETS



METAL HOUSINGS


















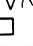









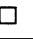



Colour coding and voltage/frequency discrimination

In accordance with the requirements of the standard the CEEGO products are colour coded which simplifies the recognition of different voltages and frequencies as illustrated in the table.

To provide the discrimination for voltage and frequency the plugs are produced with an external key which engages with a corresponding keyway in the socket casing. This device ensures the correct alignment of the contact pins and tubes.

The position of the earth contact relative to the fixed keyway in the socket is governed by the voltage or frequency of the plug and socket and is designated the "clockhour" position when viewed from the front of the socket or connector. The larger diameter of the earth pin in the plugs and appliance inlets prevents the possibility of engaging the earth pin in a phase contact tube.

Clock Hour Position	2h	3h	4h	6h	7h	8h	9h	10h	11h	12h
2 Pole + E	 300/500 Hz >50 V ~	 D.C. >50-250 V	 50/60 Hz 110 V ~	 50/60 Hz 240 V ~		 D.C. >250 V	 50/60 Hz 415 V ~	 100/300 Hz >50 V ~		 50/60 Hz 
3 Pole + E	 300/500 Hz >50 V ~	 50 Hz 60 Hz 380 V 440 V ~ †	 50/60 Hz 110 V ~	 50/60 Hz 415 V ~	 50/60 Hz 500 V ~		 50/60 Hz 240 V ~	 100/300 Hz >50 V ~	 60 Hz 440 V ~ 	 50/60 Hz 
3 Pole + N + E	 300/500 Hz >50 V ~		 50/60 Hz 110 V ~	 50/60 Hz 415 V ~	 50/60 Hz 500 V ~		 50/60 Hz 240 V ~	 100/300 Hz >50 V ~	 60 Hz 440 V ~ 	

~ = AC; † = Refrigerated containers □ = Marine applications  = Supply through isolating transformer.

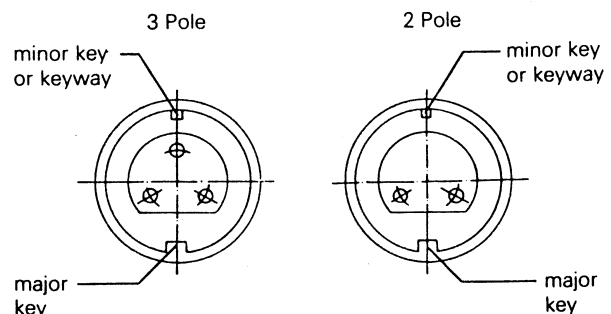
Extra low voltage

Position of the minor key or keyway (to the major key=6h) for plug-in devices with 2 and 3 poles, rated voltage 50V.

Minor key or keyway position is designated by the "clockhour" position.

Rating Voltage	Frequency Hz	Minor Key Position
25	50 and 60	None
50	50 and 60	12
Up to 50	100 up to and incl. 200	4
	300	2
	400	3
	Over 400 up to and incl. 500	11
	Direct current	10

View from front of socket outlet



CEEGO - plugs and sockets to IEC309-2

Ordering guide

Splashproof IP144

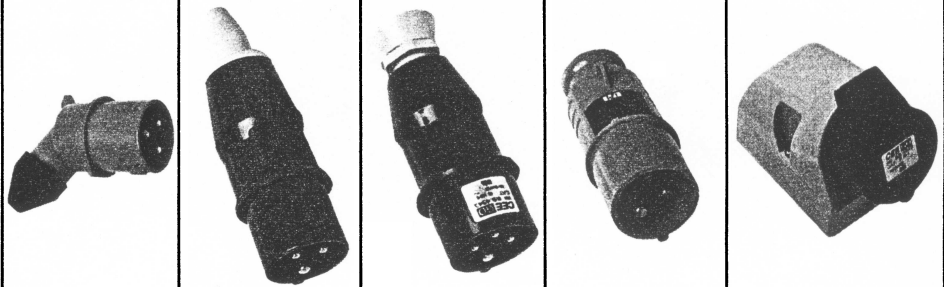
Plugs

Sockets

Angled

Straight

Surface




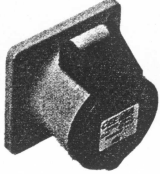


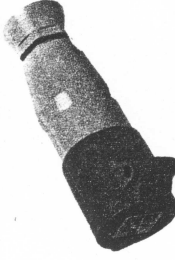
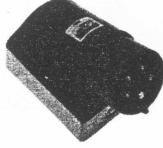
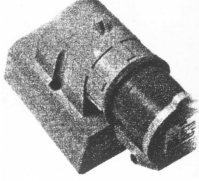
Amps	Poles	AC Volts	Minor Key or H Pos	Colour	Sleeve	Sleeve	Gland	Fused	A	Wall mount	
16	2	24	-			PSL124-0	PGL124-0			SWL124-0	
		48	12			PSL124-12	PGL124-12			SWL124-12	
		24/48DC	10			PSL124-10	PGL124-10			SWL124-10	
	3	24	-			PSL134-0	PGL134-0			SWL134-0	
		48	12			PSL134-12	PGL134-12			SWL134-12	
	2+E	110	4			PA134-4	PS134-4	PG134-4	FRP51-4 FRP101-4	5 10	SW134-4
			6			PA134-6	PS134-6	PG134-6	FRP51-6 FRP101-6	5 10	SW134-6
		415	6			PA144-6	PS144-6	PG144-6			SW144-6
6					PA154-6	PS154-6	PG154-6			SW154-6	
32	2+E	110	4		PA234-4	PS234-4	PG234-4			SW234-4	
		240	6		PA234-6	PS234-6	PG234-6			SW234-6	
	3+E	415	6		PA244-6	PS244-6	PG244-6			SW244-6	
		440	3								
	4+E	415	6		PA254-6	PS254-6	PG254-6			SW254-6	
63	2+E	110	4				PG434-4			SW434-4	
		240	6				PG434-6			SW434-6	
	3+E	415	6				PG444-6			SW444-6	
		415	6				PG454-6			SW454-6	
125	2+E	110	4								
		240	6								
	3+E	415	6								
		415	6								

Brief guide notes page 9.

Spare fuse pins are available for F.R.P series plugs 5A-1065,10A-1061

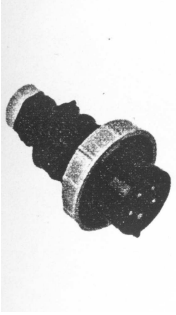
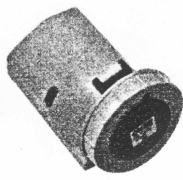

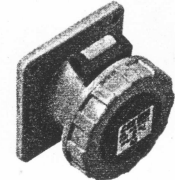
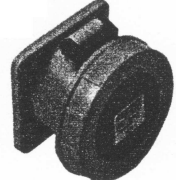

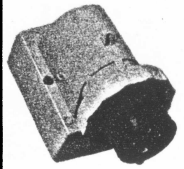
— BSEN60309-2 - CEE17 - (BS4343)

Splashproof IP144

			Connectors		Inlets	
Angled	Straight		Straight		Wall mount	
						
Flange mounted	Large flange	Small flange	Sleeve	Gland	Standard	Spring cover
SAL124-0		SSL124-0	CSL124-0	CGL124-0	AWL124-0	
SAL124-12		SSL124-12	CSL124-12	CGL124-12	AWL124-12	
SAL124-10		SSL124-10	CSL124-10	CGL124-10	AWL124-10	
SAL134-0		SSL134-0	CSL134-0	CGL134-0	AWL134-0	
SAL134-12		SSL134-12	CSL134-12	CGL134-12	AWL134-12	
SA134-4	SSE134-4	SS134-4	CS134-4	CG134-4	AW134-4	AWC134-4
SA134-6	SSE134-6	SS134-6	CS134-6	CG134-6	AW134-6	AWC134-6
SA144-6	SSE144-6	SS144-6	CS144-6	CG144-6	AW144-6	AWC144-6
SA154-6	SSE154-6	SS154-6	CS154-6	CG154-6	AW154-6	AWC154-6
SA234-4		SS234-4	CS234-4	CG234-4	AW234-4	
SA234-6		SS234-6	CS234-6	CG234-6	AW234-6	
SA244-6		SS244-6	CS244-6	CG244-6	AW244-6	
SA254-6		SS254-6	CS254-6	CG254-6	AW254-6	
SA434-4		SS434-4		CG434-4		
SA434-6		SS434-6		CG434-6		
SA444-6		SS444-6		CG444-6		
SA454-6		SS454-6		CG454-6		

manufactures the full range of devices to these international specification-IEC309-2,CEE17,BS4343 and BSEN60309-2

Watertight IP67

Plugs		Sockets			Connectors	Inlets	
Straight	Surface	Angled	Straight		Straight	Surface	
							
Gland	Wall mount	Flanged	Large flange	Small flange	Gland	Wall mount	
PG135-4	SW135-4	SA135-4	SSE135-4	SS135-4	CG135-4	AW135-4	
PG135-6	SW135-6	SA135-6	SSE135-6	SS135-6	CG135-6	AW135-6	
PG145-6	SW145-6	SA145-6	SSE145-6	SS145-6	CG145-6	AW145-6	
PG155-6	SW155-6	SA155-6	SSE155-6	SS155-6	CG155-6	AW155-6	
PG235-4	SW235-4	SA235-4		SS235-4	CG235-4		
PG235-6	SW235-6	SA235-6		SS235-6	CG235-6	AW235-6	
PG245-6	SW245-6	SA245-6		SS245-6	CG245-6	AW245-6	
PG245-3	SW245-3	SA245-3		SS245-3	CG245-3	AP245-3 Panel mount	
PG255-6	SW255-6	SA255-6		SS255-6	CG255-6	AW255-6	
PG435-4	SW435-4	SA435-4		SS435-4	CG435-4	AW435-4	
PG435-6	SW435-6	SA435-6		SS435-6	CG435-6	AW435-6	
PG445-6	SW445-6	SA445-6		SS445-6	CG445-6	AW445-6	
PG455-6	SW455-6	SA455-6		SS455-6	CG455-6	AW455-6	
PG835-4	SW835-4	SA835-4		SS835-4	CG835-4	AW835-4	
PG835-6	SW835-6	SA835-6		SS835-6	CG835-6	AW835-6	
PG845-6	SW845-6	SA845-6		SS845-6	CG845-6	AW845-6	
PG855-6	SW855-6	SA855-6		SS855-6	CG855-6	AW855-6	

Details of other configurations are available on request.

CEEGO - interlocks and twin sockets to IE

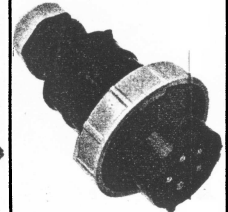
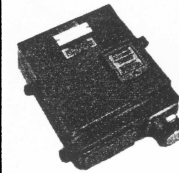
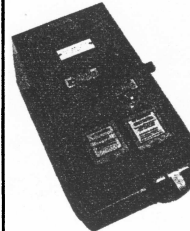
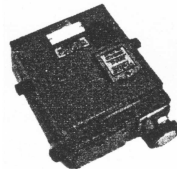
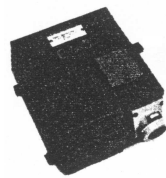
Ordering guide

Interlocks to power station specification

Watertight IP67

Metal housings

Plugs



Amps	Poles	AC Volts	H Pos	Colour	Fused			Solid links	For braided cable prefix G to Cat no.IE GPG155-6
					Standard	With RCCB	With RCCB and earth monitor	With RCCB	
16	2+E	110	4	Black					
		240	6						
	3+E	415	6						
		415	6		12165-6	13165-6		14165-6	PG155-6
32	2+E	110	4						
		240	6						
	3+E	415	6						
		440	3						
	4+E	415	6	12325-6	13325-6		14325-6	PG255-6	
4+P+E	415	6	12326-6	13326-6	15326-6	14326-6	PGR265-6		
63	2+E	110	4						
		240	6						
	3+E	415	6	12635-6	13635-6	15635-6	14635-6	PG445-6	
	4+E	415	6	12636-6	13636-6	15636-6	14636-6	PG455-6	
125	2+E	110	4						
		240	6						
	3+E	415	6			15095-6		PG845-6	
	4+E	415	6	12096-6	13096-6	15096-6	14096-6	PG855-6	

Power station units meet CEGB specification GDCD 238 (see features page 21)

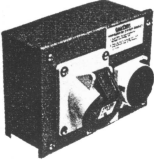


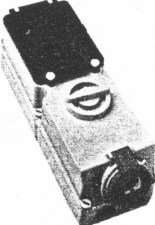
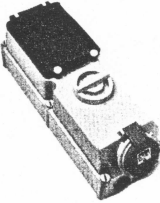
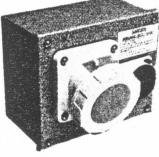

16 and 32A - CEGB approval No EPA207

63A - " " " EPA177


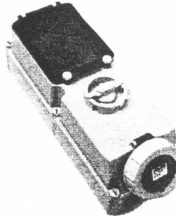
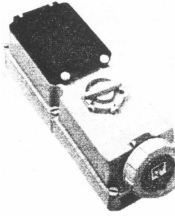
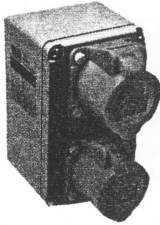
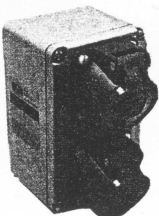
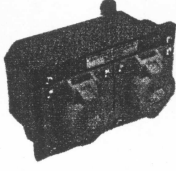
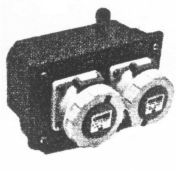
125A - " " " EPA233

R.C.C.B is 30mA sensitivity.

C309-2 - BSEN60309-2 - CEE17 - (BS4343)

Interlocks to industrial specification							
Splashproof IP44					Watertight IP67		
Metal housings		Insulated housings			Metal housings		
							
Standard	With RCCB	Standard	WithRCCB	With DIN rail	Standard	With RCCB	
SISR134-4	SIRR134-4	SI134-4	SIR134-4	SIE134-4			
SISR134-6	SIRR134-6	SI134-6	SIR134-6	SIE134-6			
SISR144-6	SIRR144-6	SI144-6	SIR144-6	SIE144-6			
SISR154-6	SIRR154-6	SI154-6	SIR154-6	SIE154-6			
SISR234-4	SIRR234-4	SI234-4	SIR234-4	SIE234-4			
SISR234-6	SIRR234-6	SI234-6	SIR234-6	SIE234-6			
SISR244-6	SIRR244-6	SI244-6	SIR244-6	SIE244-6			
SISR254-6	SIRR254-6	SI254-6	SIR254-6	SIE254-6			
		SI434-4	SIR434-4	SIE434-4	SISR435-4	SIRR435-4	
		SI434-6	SIR434-6	SIE434-6	SISR435-6	SIRR435-6	
		SI444-6	SIR444-6	SIE444-6	SISR445-6	SIRR445-6	
		SI454-6	SIR454-6	SIE454-6	SISR455-6	SIRR455-6	

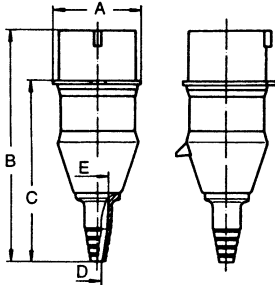
Splashproof units to IP44 give protection against solid bodies larger than 1mm and projections of water from all directions. These devices are suitable for most indoor uses and non-continuous outdoor use. Where dust and moisture are normally present devices to IP67 should be selected.

				Twin sockets			
				Splashproof IP44			Watertight IP67
Insulated housings			Insulated housings		Metal housings		
							
Standard	With RCCB	With DIN rail	Straight sockets	Angled sockets	Straight sockets		
SI135-4	SIR135-4	SIE135-4	MSS 1632-4	MSA1632-4	6640-4	6640W-4	
SI135-6	SIR135-6	SIE135-6	MSS1632-6	MSA1632-6	6640-6	6640W-6	
SI145-6	SIR145-6	SIE145-6					
SI155-6	SIR155-6	SIE155-6					
SI235-4	SIR235-4	SIE235-4	<p>BRIEF GUIDE NOTES AND TYPICAL APPLICATIONS</p> <p>Caravans and Marinas Normal supplies are via 16 Amp 240 Volts 2+E (Blue) devices. Both splashproof and watertight are used dependent on location and housings</p> <p>Construction sites 16 Amp 110 Volt 2+E (Yellow) devices are the norm for hand tools and temporary lighting. Splashproof units are widely used. A full range of construction site electrical equipment is available in the 'Consiego' catalogue.</p> <p>Refrigerated containers 32 Amp 440 Volt 3+E (Red) 3-hour position units are the international standard.</p> <p>CEEGO interlocks Those units fitted with Din rail are for mounting R.C.C.B's and M.C.B's of the customers choice. A full range of R.C.C.B's is available in the 'Safego' catalogue.</p> <p>Residual Current Circuit Breakers (R.C.C.B) Standard units have 30mA sensitivity.</p>				
SI235-6	SIR235-6	SIE235-6					
SI245-6	SIR245-6	SIE245-6					
SI245-3		SIE245-3					
SI255-6	SIR255-6	SIE255-6					
SI435-4	SIR435-4	SIE435-4					
SI435-6	SIR435-6	SIE435-6					
SI445-6	SIR445-6	SIE445-6					
SI455-6	SIR455-6	SIE455-6					
SI845-6	SIR845-6	SIE845-6					
SI855-6	SIR855-6	SIE855-6					

Watertight units to IP67 give complete protection against dust and the effect of immersion.
 All watertight units have nickel plated current carrying parts for increased corrosion protection.
 Pilot pins are standard on 63 and 125 Ampere devices.

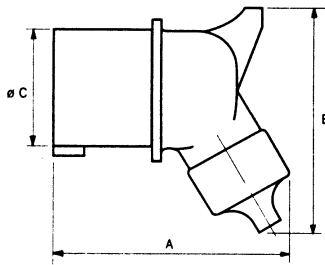
Dimensions-Ceego plugs and sockets

Plugs



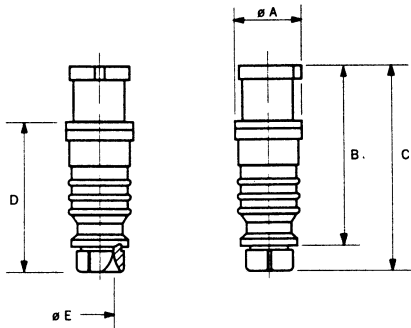
16&32A splashproof

Description		A	B	C	D	E	Max. Cable mm ² All Connections	Cable Ø
16 AMP	2POLE + E	51	161	125	7		4	
	3POLE + E	58						
	4POLE + E	64						
32 AMP	2POLE + E	66	213	168	10	26	10	
	3POLE + E							
	4POLE + E							



16&32A angle entry splashproof

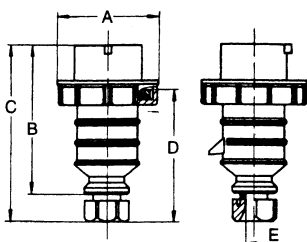
Description		A	B	C	Max.Cable mm ² All Connections	Wt. KG.
16 AMP	2POLE + E	90	85	43.5	13	6
	3POLE + E	90	90	49.5		
32 AMP	2POLE + E	120	110	57.3	18	10
	3POLE + E					



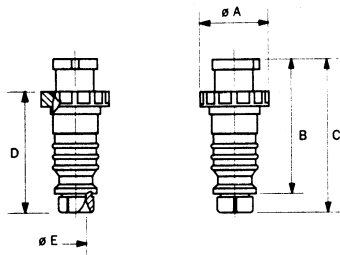
16,32&63A splashproof

Description		A	B	C	D	E	Max.Cable mm ² All Connections	Max. Cable Ø
16 AMP	2POLE + E	51	111	138	102	17	4	17
	3POLE + E	58						
	4POLE + E	64						
32 AMP	2POLE + E	66	142	175	130	24.5	10	24
	3POLE + E							
	4POLE + E							
63 AMP	2POLE + E	103	226	254	188	36.5	16	36
	3POLE + E							
	4POLE + E							

16&32A watertight



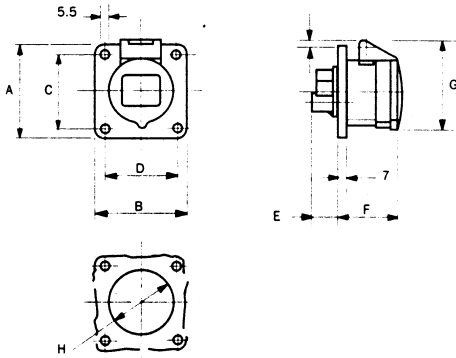
Description		A	B	C	D	E	Max. Cable mm ² All Connections	Max. Ø
16 AMP	2POLE + E	70.5	112	139	105.5	16	4	
	3POLE + E	78						
	4POLE + E	86.5						
32 AMP	2POLE + E	94	144	171	127	22.5	10	
	3POLE + E							
	4POLE + E							



63&125A Watertight

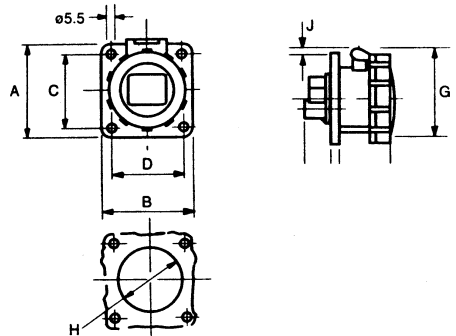
Description		A	B	C	D	E	Max. Cable mm ² All Connections	Max. Cable ø
63 AMP	2POLE + E	113.5	226	254	192	36.5	16	36.5
	3POLE + E							
	4POLE + E							
125 AMP	2POLE + E	125	253	286	215	44	70	44
	3POLE + E					44		
	4POLE + E					44		

Sockets



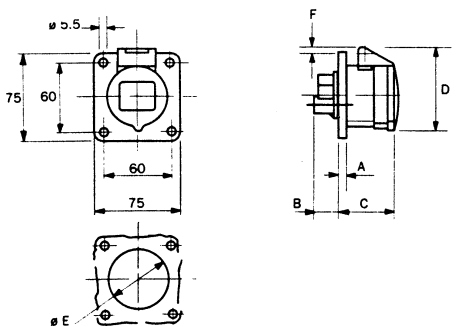
16A small flange splashproof

Description		A	B	C	D	E	F	G	H	J	Max. Cable mm ² All Connections
16 AMP	2POLE + E	62	62	47	47	17	51	70	45	10	4
	3POLE + E	72	65	52	52	26	53	80	9	9	
	4POLE + E					17					



16A small flange watertight

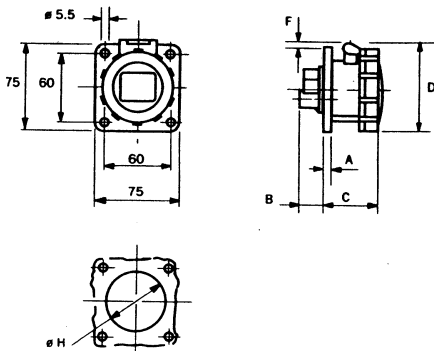
Description		A	B	C	D	E	F	G	H	J	Max. Cable mm ² All Connections
16 AMP	2POLE + E	62	62	47	47	17	57	76	45	10	4
	3POLE + E	72	65	52	52	26	58	85	9	9	
	4POLE + E					17					



16A large flange splashproof

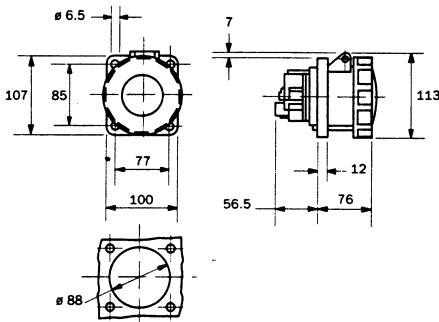
Description		A	B	C	D	E	F	Max. Cable mm ² All Connections
16 AMP	2POLE + E	7	17	51	70	45	3.5	4
	3POLE + E		26	80	7			
	4POLE + E		17	53	85	55	11.5	

Dimensions-Ceego sockets



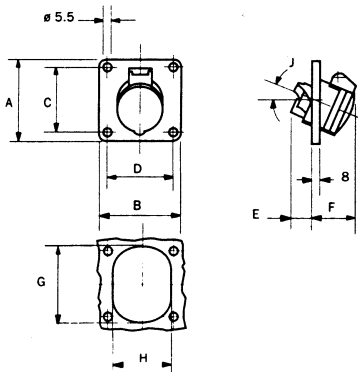
16A large flange watertight

Description		A	B	C	D	E	F	Max. Cable mm ² All Connections
16 AMP	2POLE + E	17	57	76	45	3.5	7	4
	3POLE + E	26	58	83				
	4POLE + E	17	57	93				



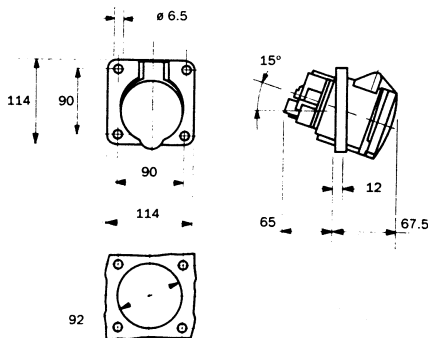
63A watertight

Description		Max. Cable mm ² All Connections
63 AMP	2POLE + E	25
	3POLE + E	
	4POLE + E	



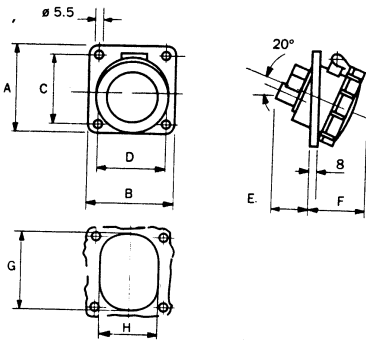
16&32A angled splashproof

Description		A	B	C	D	E	F	G	H	J	Max. Cable mm ² All Connections
16 AMP	2POLE + E	74	62	60	52	30	48	57	52	20°	4
	3POLE + E	100	92	85	77		50	65	65		
	4POLE + E						29	55	70		
32 AMP	2POLE + E	100	92	85	77	34	58	75	75	20°	10
	3POLE + E					42					
	4POLE + E					34					



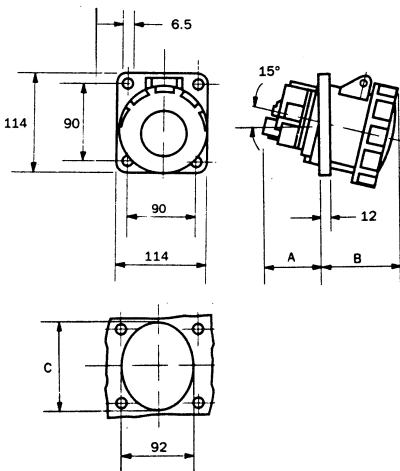
63A angled splashproof

Description		Max. Cable mm ² All Connections
63 AMP	2POLE + E	25
	3POLE + E	
	4POLE + E	



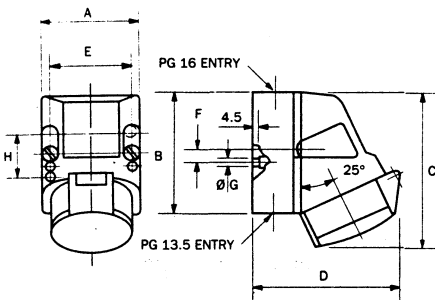
16&32A angled watertight

Description		A	B	C	D	E	F	G	H	Max. Cable mm ² All Connections
16 AMP	2POLE + E	74	62	60	52	30	55	57	52	4
	3POLE + E	100	92	85	77	28.5	57.5	65	65	
	4POLE + E					29	60	70	70	
32 AMP	2POLE + E	100	92	85	77	34	62	75	75	10
	3POLE + E					42				
	4POLE + E					34	69	78	78	



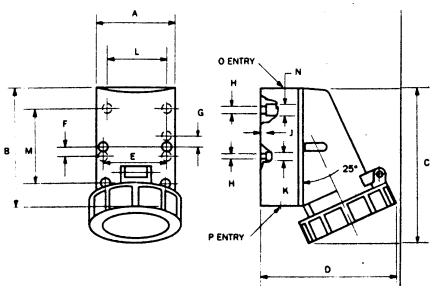
63&125A angled watertight

Description		A	B	C	Max. Cable mm ² All Connections
63 AMP	2POLE + E	65	80	92	25
	3POLE + E				
	4POLE + E				
125 AMP	2POLE + E	82	90	104	70
	3POLE + E				
	4POLE + E				



16A (wall mounted) splashproof

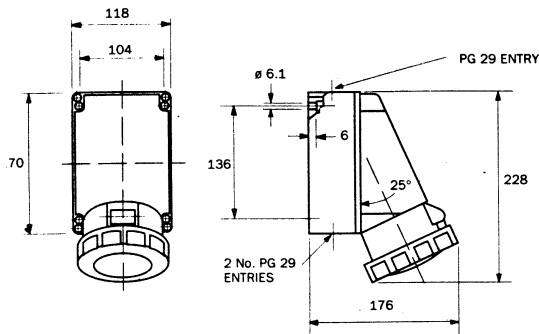
Description		A	B	C	D	E	F	G	H	Max. Cable mm ² All Connections
16 AMP	2POLE + E	64	87	117	103	51	-	4.1	40	4
	3POLE + E	75	100	129	108	59	11	5.1	-	
	4POLE + E			131	116					
32 AMP	2POLE + E	83	126	155	130	68	11	5.5	80	10
	3POLE + E				136					
	4POLE + E									



16&32A (wall mounted) splashproof/watertight

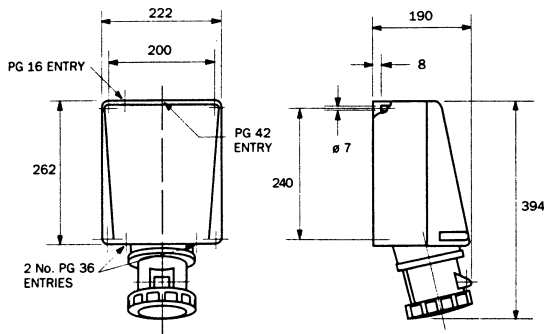
Description		A	B	C	D	E	F	G	H	J	K	L	M	N	O	P	Max. Cable mm ² All Connections
16 AMP	2POLE + E	64	87	115	103	51	20	20	41	4.5	10	-	-	-	PG 16	PG 13.5	4
	3POLE + E	75	100	110	59	11	-	5.1									
	4POLE + E			115													
32 AMP	2POLE + E	83	126	160	129	68	11	-	5.5	6.5	12	65	80	10	PG 21	PG 2No. 21	10
	3POLE + E				135												
	4POLE + E																

Dimensions-Ceego sockets, connectors and inlets



63A (wall mounted) splashproof/watertight

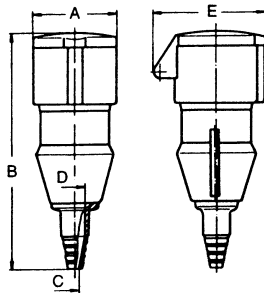
Description		Max. Cable mm ² All Connections
63 AMP	2POLE + E	25
	3POLE + E	
	4POLE + E	



125A (wall mounted) watertight

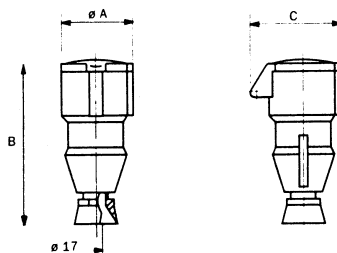
Description		Max. Cable mm ² All Connections
63 AMP	2POLE + E	50
	3POLE + E	70
	4POLE + E	

Connectors



16&32A splashproof

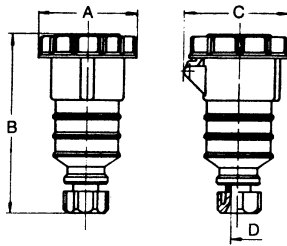
Description		A	B	C	D	E	Max. Cable mm ² All Connections	Cable Ø
16 AMP	2POLE + E	51	172	7	17.5	71	4	
	3POLE + E	58	173			79		
	4POLE + E	64	177			85		
32 AMP	2POLE + E	66	225	10	26	93	10	
	3POLE + E					99		
	4POLE + E	72	226					



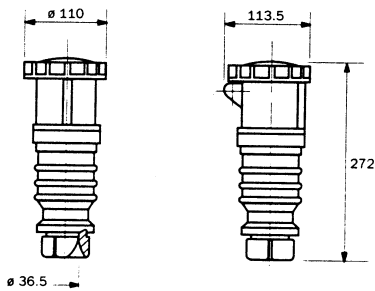
16&32A splashproof

Description		A	B	C	Max. Cable mm ² All Connections	Max. Cable Ø
16 AMP	2POLE + E	51	150	71	4	71
	3POLE + E	58	151	79		79
	4POLE + E	64	151	85		85
32 AMP	2POLE + E	66	188	93	10	93
	3POLE + E					
	4POLE + E	72	189	99		99

16&32A watertight

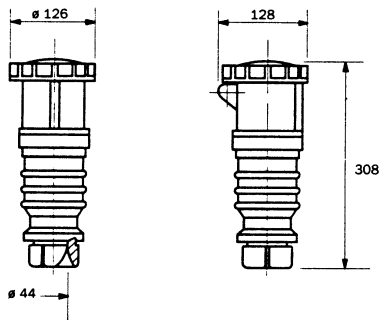


Description		A	B	C	D	Max. Cable mm ² All Connections	Cable Ø
16 AMP	2POLE + E	70.5	153	77	16	4	
	3POLE + E	78		83			
	4POLE + E	86.5		93			
32 AMP	2POLE + E	94	188	99	22.5	4	
	3POLE + E						
	4POLE + E	101.5		107			



63A watertight

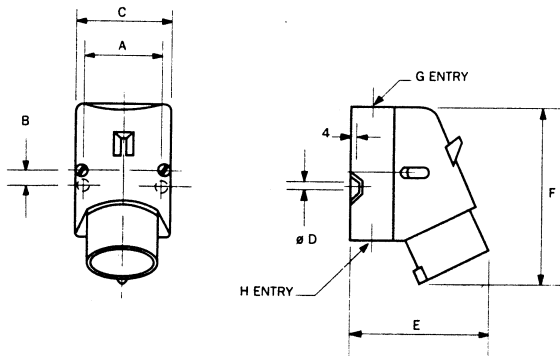
Description		Max. Cable mm ² All Connections	Max. Cable Ø
63 AMP	2POLE + E	16	36.5
	3POLE + E		
	4POLE + E		



125A watertight

Description		Max. Cable mm ² All Connections	Max. Cable Ø
125AMP	2POLE + E	70	44
	3POLE + E		
	4POLE + E		

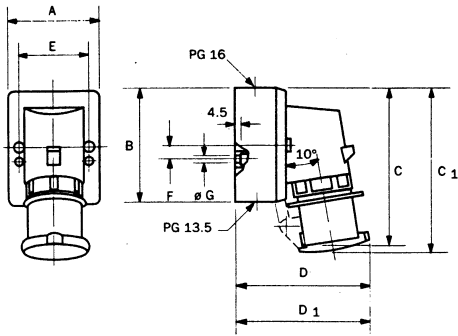
Inlets



16&32A (wall mounted) splashproof

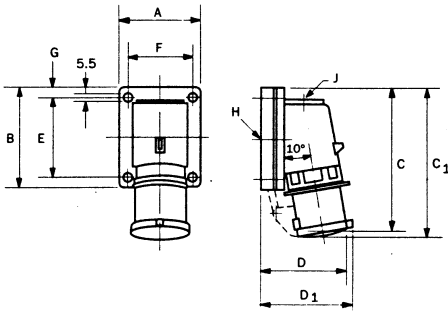
Description		A	B	C	D	E	F	G	H	Max. Cable mm ² All Connections
16 AMP	2POLE + E	50.5	0	63.5	4.5	93	122	PG 16	PG 13.5	4
	3POLE + E	59	11	75	5	106	135			
	4POLE + E					110				
32 AMP	2POLE + E	68	11	83	5.2	115	170	PG 21	PG 2No. 21	10
	3POLE + E									
	4POLE + E					120				

Dimensions-CeeGo inlets and extra low voltage plugs, sockets and



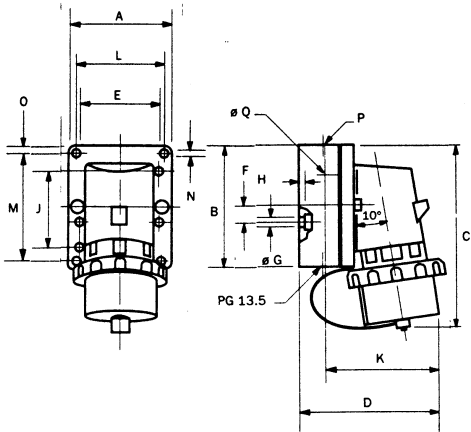
16A appliance splashproof with cover

Description		A	B	C	C1	D	D1	E	F	G	H	Max.Cable mm ² All Connections
16 AMP	2POLE + E	64	87	132	138	104	111	51	-	4.1	4.5	4
	3POLE + E	75	100	144	150	110	120	59	11	5.1		



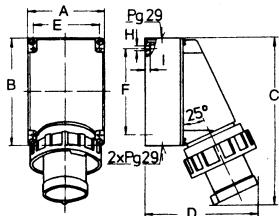
16&32A appliance splashproof

Description		A	B	C	C1	D	D1	E	F	G	H	J	Max.Cable mm ² All Connections
16 AMP	3POLE + E	84	84	129	138	101	105	64	64	-	23	PG16	2.5
32 AMP	4POLE + E	90	75	138	149	110	114	45	78	13	29	PG21	6
	3POLE + E			139	150	111	115						
	4POLE + E												



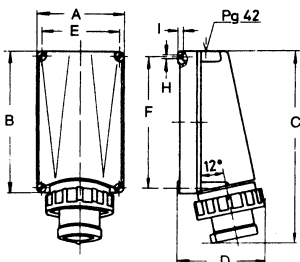
16&32A (wall mounted) watertight

Description		A	B	C	D	E	F	G	H	J	K	L	M	N	O	P	Q	Max.Cable mm ² All Connections
16 AMP	2POLE + E	64	87	137	104	51	-	4.1	45	40	-	-	-	-	-	-	-	4
	3POLE + E	75	100	146	112	59	11	5.1		-	-	-	-	-	-	-	-	
	4POLE + E	84	84	135	-	-	-	-	-	-	103	64	64	5.5	-	PG16	23	
32 AMP	2POLE + E	90	75	147	-	-	-	-	-	122	78	45	5.5	13	PG21	29	10	
	3POLE + E			-	-	-	-	-										
	4POLE + E			148	-	-	-	-	123	-	-	-	-					

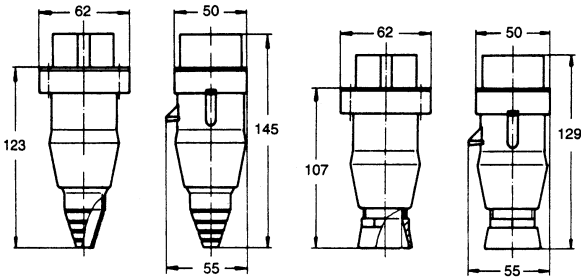


63&125A (wall mounted) watertight

Description		A	B	C	D	E	F	H	I	Max. Cable mm ² All Connections
63 AMP	2POLE + E	118	170	259	174	104	136	6.1	6	25
	3POLE + E									
	4POLE + E									
125 AMP	2POLE + E	160	260	364	165	140	240	8.3	10	50
	3POLE + E									
	4POLE + E									

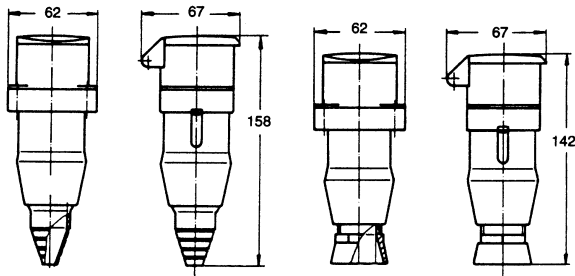


Connectors



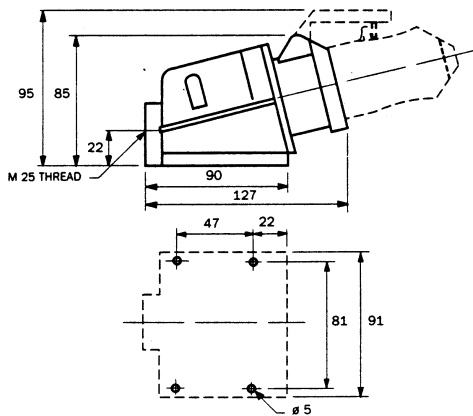
16&32A extra low voltage

Description		Max.Cable mm ² All Connections	Wt KG
16 AMP	2POLE + E	4	.234
	3POLE + E	10	.250
32 AMP	2POLE + E	4	.234
	3POLE + E	10	.250



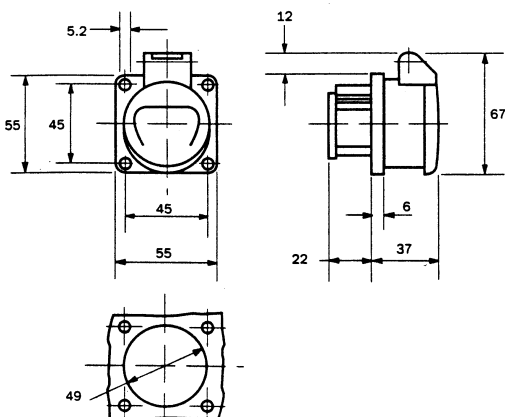
16&32A extra low voltage

Description		Max.Cable mm ² All Connections	Wt KG
16 AMP	2POLE + E	6	.166
	3POLE + E	10	.186
32 AMP	2POLE + E	6	.164
	3POLE + E	10	.184



16&32A wall mounted extra low voltage

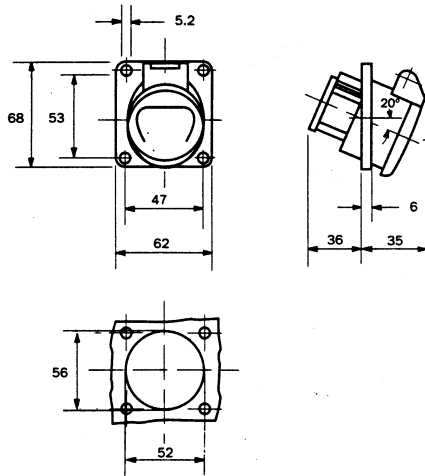
Description		Max.Cable mm ² All Connections	Wt KG
16 AMP	2POLE + E	4	.228
	3POLE + E	10	.254
32 AMP	2POLE + E	4	.232
	3POLE + E	10	.258



16&32A straight splashproof extra low voltage

Description		Max.Cable mm ² All Connections
16 AMP	2POLE	4
	3POLE	
32 AMP	2POLE	10
	3POLE	

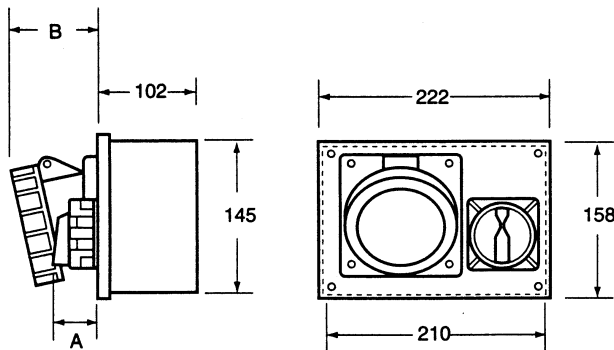
Dimensions — Ceego extra low voltage sockets and switches



16&32A angled splashproof extra low voltage

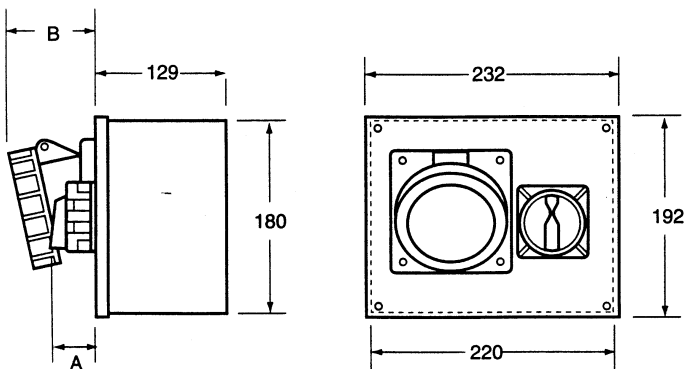
Description		Max.Cable mm ² All Connections
16 AMP	2POLE	4
	3POLE	
32 AMP	2POLE	10
	3POLE	

Switched interlocks



16&32A metal box

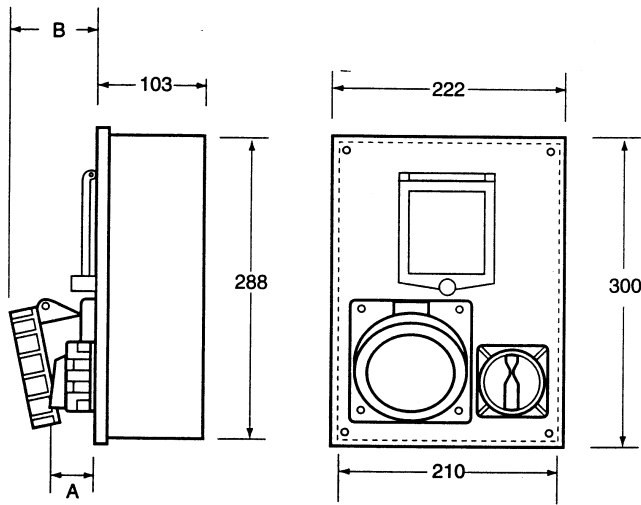
Description		A	splashproof B	watertight B
16 AMP	2POLE + E	50	48	55
	3POLE + E		50	57.5
	4POLE + E		55	60
32 AMP	2POLE + E	50	58	62
	3POLE + E		60	69
	4POLE + E			



63A metal box

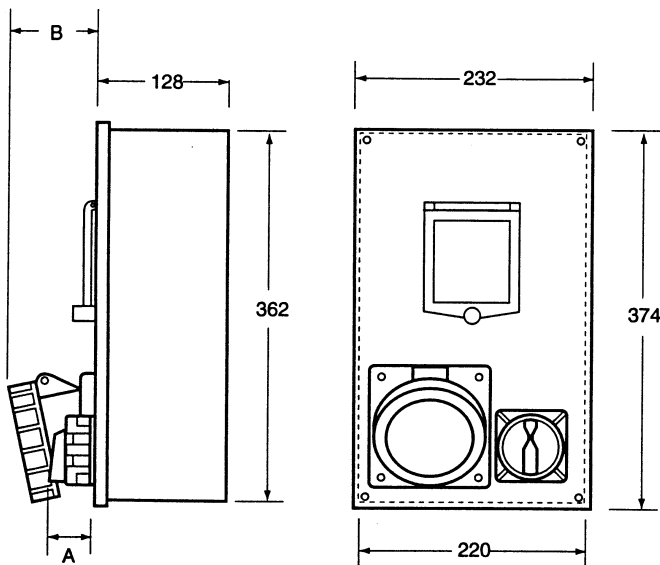
Description		A	splashproof B	watertight B
63 AMP	2POLE + E	50	67.5	80
	3POLE + E			
	4POLE + E			

interlocks



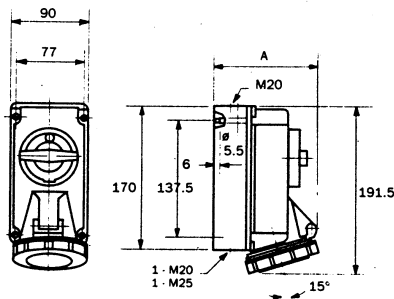
16&32A metal box with RCCB

Description		A	splashproof B	watertight B
16 AMP	2POLE + E	50	48	55
	3POLE + E		50	57.5
	4POLE + E		55	60
32 AMP	2POLE + E	50	58	62
	3POLE + E		60	69
	4POLE + E			



63A metal box with RCCB

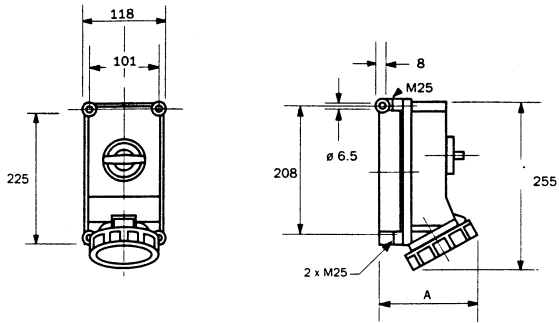
Description		A	splashproof B	watertight B
63 AMP	2POLE + E	50	67.5	80
	3POLE + E			
	4POLE + E			



16A splashproof & watertight

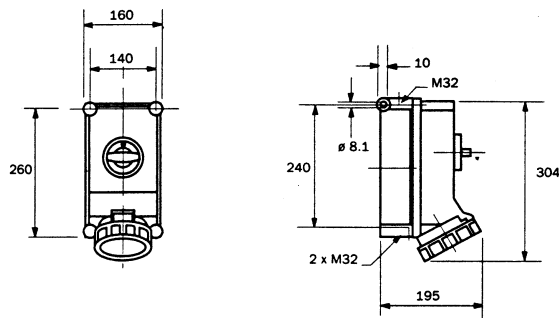
Description		A	Max. Cable mm ² All Connections
16 AMP	2POLE + E	118	10
	3POLE + E	115	
	4POLE + E	121	

Dimensions-Ceego switch interlocks and twin sockets



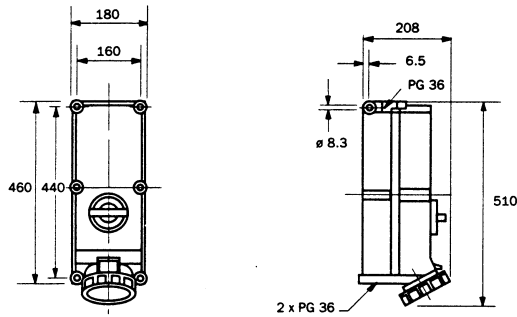
32A splashproof & watertight

Description		A	Max. Cable mm ² All Connections
32 AMP	2POLE + E	143	10
	3POLE + E	143	
	4POLE + E	149	



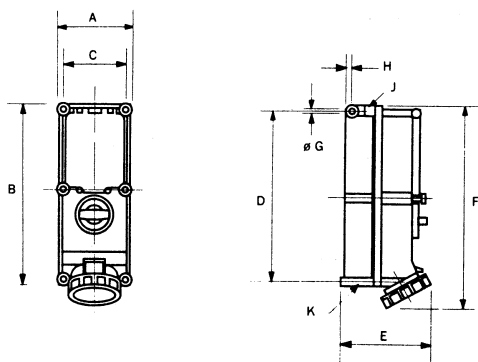
63A splashproof & watertight

Description		Max. Cable mm ² All Connections
63 AMP	3POLE + E	25
	4POLE + E	



125A watertight

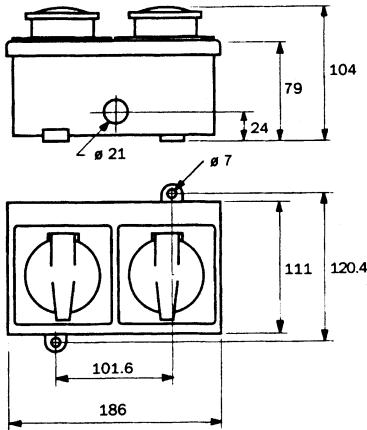
Description		Max. Cable mm ² All Connections
125 AMP	3POLE + E	50
	4POLE + E	



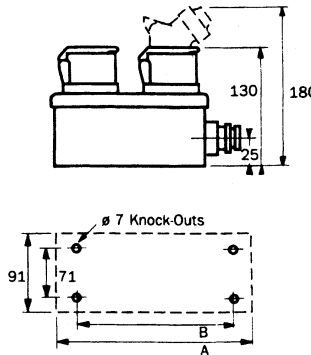
16,32&63A with R.C.C.B or DIN rail splashproof & watertight

Description		A	B	C	D	E	F	G	H	J	K	Max. Cable mm ² All Connections
16 AMP	2POLE + E					136						10
	3POLE + E	134	365	117	348	136	389	6.5	8	M25	2x M25	
	4POLE + E											
32 AMP	3POLE + E	134	365	117	348	152	399	6.5	8	M25	2x M25	10
	4POLE + E					158						
63 AMP	3POLE + E	180	460	160	440	191	500	8.3	6.5	M32	2x M32	25
	4POLE + E											

Twin sockets



Metal housings

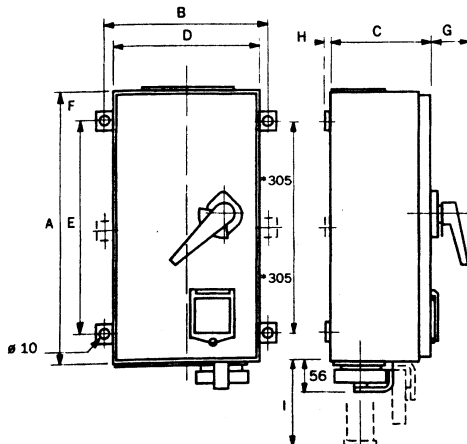
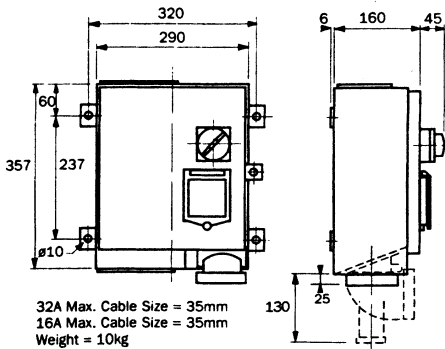


Insulated housings

No. of Poles	No. of Sockets	A	B	Max. Cable		KG	Amps
				∅	mm ²		
2 P+E	2	151	106	21	10	0.82	16

Power station specifications

16&32A



Features

- Sheet steel enclosure with durable stoved enamel grey finish to ESI98 which has been subjected to appropriate environmental tests.
- Units meet IP65 specification.
- The units have undrilled gland plates to top and bottom, facilitating top or bottom cable entry.
- A die cast cover with padlocking facility gives access to the RCCB which has a tripping sensitivity of 30mA operating in a maximum of 30ms.
- The fuse switch is interlocked with the lid and the socket outlet.
- Unit is fully interlocked and cannot be switched on until the correct plug is fully inserted, nor can the plug be withdrawn on load.
- Provision for padlocking the switch handle in the OFF position.
- Units are tested at through fault level of 31.5MVA.
- If necessary, units can be supplied without the RCCB and solid links can be in place of fuses.
- 63 ampere unit available fitted with Bals EASIGO 60 ampere sockets. Unit meets IP44 specifications.
- 32A 3P+N, 63A and 125 A units can also be provided with an earth monitoring facility in accordance with optional feature in CEEGB specification.
- Designed to loop up to 35mm² cables.

63&125A

Description		A	B	C	D	E	F	G	H	I	Max. Cable		Earth Stud	Wt. KG
											Phase	mm ²		
63A	All types	560	326	205	296	440	60	75	2	170	35mm ²	M8	23	
125A	All types	730	455	214	425	610	60	75	2	260	70mm ²	M8	42	