

 **FIRE ALARM EQUIPMENT**



Vibrating Fire Alarm Bells

Diode Polarized AC & DC Models

438D & 439D Series

FEATURES

- > 6" (152mm), 8" (203mm) and 10" (254mm) gong sizes
- > Heavy duty die cast housing
- > Rugged, compact mechanism
- > Rated for outdoor use with optional back box
- > Under dome mechanism

AGENCY APPROVALS

- > UL Listed
- > CSFM Listed
- > FM Approved

The Fire Alarm Bells are diode polarized, vibrating bells designed for use with fire alarm control equipment. The gongs are made of select, alloy steel to sound the loud, resonant tone required in fire alarm systems. They are epoxy powder coated red.

Supplied mounting plate installs directly on surface or on any single gang box, or on any 3 1/2" (89mm) or 4" (102mm) octagon, or 4" (102mm) square electrical box.

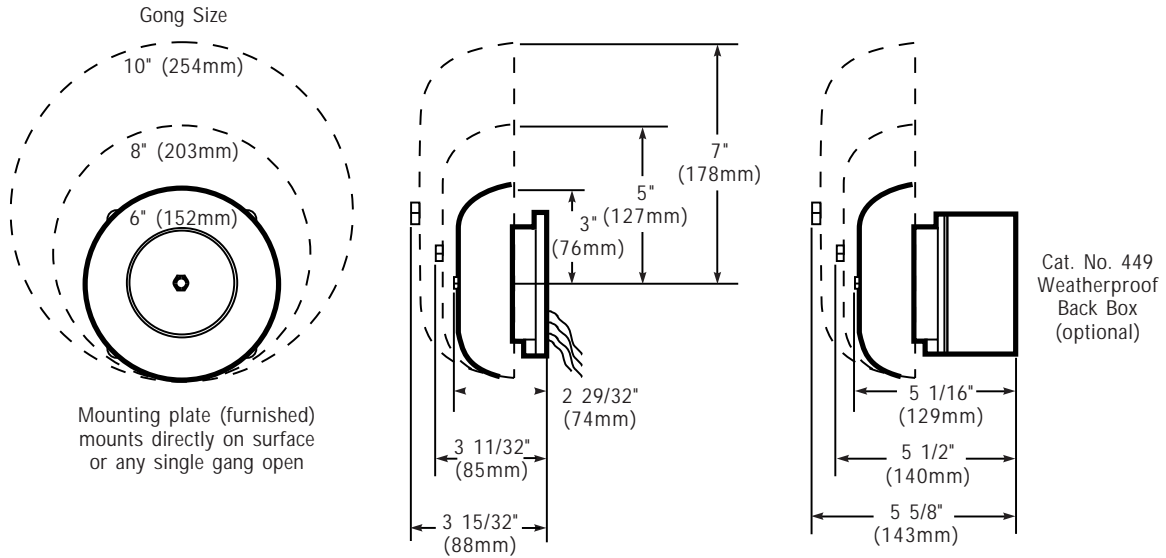
For outdoor installation, use Cat No. 449 weatherproof back box.

The 438D and 439D fire alarm bells are audible signaling appliances for installations that operate in conjunction with an installed fire alarm panel and detection devices.

ACCESSORIES	
Cat. No.	Description
449	Weatherproof back box

FIRE ALARM EQUIPMENT 

TECHNICAL INFORMATION



Cat. No.	Volts	Amps	Gong Size	Lead Length	dB at 10 Ft. (3.05m)
438D-6N5-R	120V AC	.034	6" (152mm)	10" (25mm)	76* / 66**
438D-8N5-R	120V AC	.034	8" (203mm)	10" (25mm)	86* / 75**
438D-10N5-R	120V AC	.034	10" (254mm)	10" (25mm)	88* / 79**
439D-6AW-R	24V DC	.085	6" (152mm)	10" (25mm)	92* / 82**
439D-8AW-R	24V DC	.085	8" (203mm)	10" (25mm)	93* / 82**
439D-10AW-R	24V DC	.085	10" (254mm)	10" (25mm)	94* / 85**
439D-6AW-RAU	12V DC	.150	6" (152mm)	10" (25mm)	
439D-8AW-RAU	12V DC	.150	8" (203mm)	10" (25mm)	
439D-10AW-RAU	12V DC	.150	10" (254mm)	10" (25mm)	

*Anechoic Chamber **Reverberant Room measured on the A scale