


MANUAL CALL POINT

**Intrinsically Safe (EExia), Weatherproof
BG3 Range**

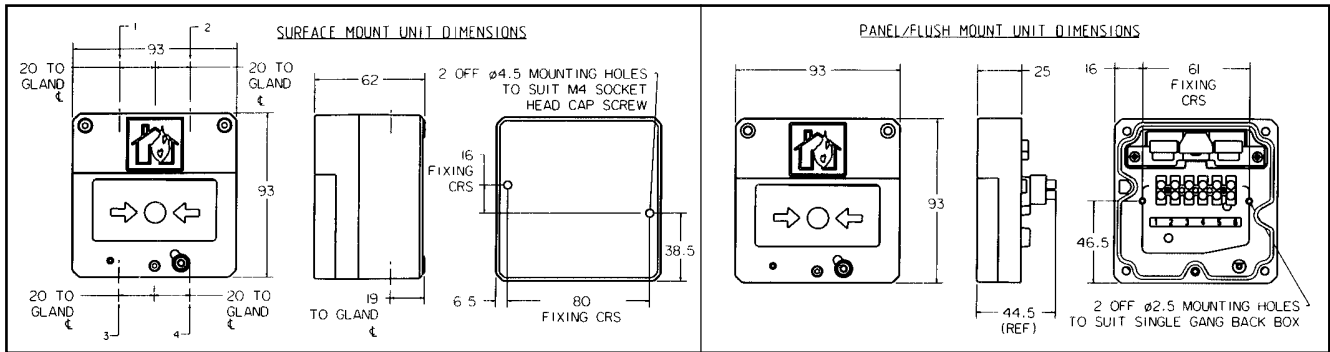
**Introduction**

This manual fire alarm call point is designed in accordance with the latest draft European Call Point Standard (EN54-11).

Weatherproof to IP66 and IP67 and available certified intrinsically safe, simple apparatus or uncertified, the units are manufactured from glass reinforced polyester (GRP) which provides a robust, corrosion free construction and ensures effective and reliable operation in harsh industrial and offshore environments.

Units are supplied in self coloured GRP or painted to customer specification. 'Burning House'  duty label is provided as standard, other duty and tag labels may be supplied to customer specification.

- ★ Zone 0, Zone 1 and Zone 2 use.
- ★ EExia IIC T4.
- ★ ATEX Approved Ex II 1 G.
- ★ CENELEC approved.
- ★ BASEEFA certified.
- ★ Designed in accordance with EN54-11.
- ★ IP66 and IP67.
- ★ Certified temperature -55°C to +55°C.
- ★ Corrosion free GRP.
- ★ Optional in line/end of line resistors/diodes.
- ★ Optional LED indicator.
- ★ Optional lift flap.
- ★ Optional flush installation.
- ★ Optional glass substitute element.
- ★ Key operated test facility.
- ★ Various body colours available.



Technical Specification

MODEL	BG3I	BG3W
PROTECTION	Explosion Protected EExi (Intrinsically Safe)	Dust-tight & Weatherproof
CERTIFICATION	CENELEC EN50014, 020 BASEEFA EExia IIC T4 Cert No. BAS00ATEX1067X Suitable for use in Zones 0, 1 & 2	Not applicable
VOLTAGE	Up to 28V (IS)	Up to 250V a.c.
CERTIFIED TEMPERATURE	-55°C to +55°C	Not applicable
INGRESS PROTECTION	IP66 & IP67	IP66 & IP67
EUROPEAN STANDARD FOR CALL POINTS	EN54-11	EN54-11
TERMINALS	6 x 4.0mm ²	6 x 4.0mm ²
SWITCH RATINGS	Not Applicable	DC: 0 - 30V 3A resistive or inductive 30V - 50V 1A resistive or inductive AC: 0 - 250V 3A resistive or inductive
RESISTOR VALUES	470R Minimum	270R Minimum
CABLE ENTRIES	2 x M20 top or bottom	2 x M20 top or bottom
WEIGHT	0.5Kg	0.5Kg
MATERIAL	UV resistant glass reinforced polyester	UV resistant glass reinforced polyester
FINISH	Natural Red GRP or painted Note: Natural Red GRP may fade with exposure to sunlight – specify painted finish if unit is to be used outdoors.	Natural Red GRP or painted
DUTY/TAG LABELS	Stainless steel as standard	Plastic as standard

Ordering Requirements

The following code is designed to help in the selection of the correct unit. Build up the reference number by inserting the code for each feature into the appropriate box. **Standard products available ex-stock as follows:**

PRODUCT	DESCRIPTION
BG3I1NBN	Intrinsically safe, ATEX approved Ex II 1G, certified EExia IIC T4, Glass Label 'Fire Break Glass Press Here', Duty Label 'Burning House', single switch, no features, 2 x 20mm bottom entry, natural red.
BG3W1NBN	Weatherproof, uncertified, Glass Label 'Fire Break Glass Press Here', Duty Label 'Burning House', single switch, no features, 2 x 20mm bottom entry, natural red.

Model	Certification	Labels	Features	Entries	Body Colour
BG3					
Certification	Code	Label Type	Code	Entries	Code
Weatherproof	W	Glass Label	None	2x20mm (bottom)	Natural Red*
EExia	I	Fire Break Glass 'Press Here'	Resistor Series	2 x 20mm (top)	Red Paint
		Break Glass 'Press Here'	Resistor EOL		Blue
		Special	Diode		Green
		European Standard (draft)	Polycarbonate Lift flap		White
		⇒○⇐	Stainless steel Lift flap		Yellow
		Duty Label (special)	LED		Special
		(Burning House as standard)	Double changeover		
		Tag Label	Flush Mounting		
		Specify wording on '3', '5' & '6'	(weatherproof only)		
			Glass substitute		
			(for use during installation)		
			Plastic Element		
			(replaces break glass)		

*Note: Natural Red GRP may fade with exposure to sunlight – specify painted finish if unit is to be used outdoors.

* Please specify

All the above specifications, dimensions, weights and tolerances are nominal (typical) and reserve the right to vary all data without prior notice. No liability is accepted for any consequence of use.