



SM87 SL



XB12 SL

Note: Units shown are for representation only. Other variations are available.

Status Lights

Explosionproof, Weatherproof

SM87 SL and XB12 SL Range

The most rugged and reliable status lights for harsh and hazardous applications.

Available as Xenon, incandescent and fluorescent beacons/strobes.

The SM87 SL range is manufactured in marine grade alloy and the XB12 SL in corrosion-free GRP to provide a wide range of status lights to suit your requirements.

All units can be supplied as 1, 2, 3, 4 or 5 stacks.

Primary Applications

- Process status
- Messaging
- Alert or emergency condition indication

Industries

- Offshore & onshore
- Energy exploration & transmission
- Refining
- Chemical & petrochemical
- Pharmaceutical

Certifications & Compliances

- UL Listed for USA and Canada*
 - Class I, Div. 1 & 2, Groups C & D
 - Class I, Zone 1, AExd IIB T6
- CSA certified*
- ATEX approved
- Xenon, fluorescent, incandescent*
- NEMA 4X & 6, IP66 & 67
- Certified temperature
 - 67°F to +131°F*
 - 55°C to +55°C*

Key Features & Benefits

- 4-wire monitored connection for supervisory circuits*
- Marine grade alloy or GRP
- Pre-wired to customer's requirements

*Depending on model

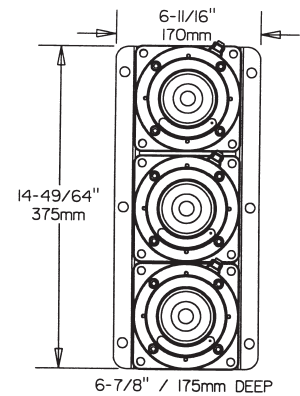
Status Lights — Explosionproof, Weatherproof

SM87 SL

Xenon, Incandescent & Fluorescent Status Lights—Explosionproof



Certification UL Listed for:	cULus ATEX Class I, Div 1, Groups C & D, Class I, Zone 1, AExd IIB T4
Certified Ambient Temperature	-67 °F to +158 °F -55°C to +70°C
Ingress Protection	NEMA 4X & 6 IP66 & 67
Material	Alloy
Entries	Up to 1 x 1/2" NPT
Max. No. of Ways	4
Options: Body & lens color, certification, voltages 24–48V DC, 110–254V AC	



Certification	Voltage	Ordering Code	Catalog #	Standard Product Configuration
UL, cUL Listed, Class I, Div 1, Groups C & D	24V DC	26200043	SM87SL3	Explosion protected, three stack , one 1/2" NPT entry on bottom, no lens guards, xenon strobe with red, green, and clear lens
UL, cUL Listed, Class I, Div 1, Groups C & D	24V DC	26200055	SM87SL2	Xenon status lamp, two stack 5 joule beacons interconnected on a painted red stainless steel baseplate, one red and one green lens color, 1/2" NPT entry in the bottom unit for customer connection
UL, cUL Listed, Class I, Div 1, Groups C & D	24V DC	26200056	SM87SL2	Incandescent status lamp, two stack 40 watt beacons interconnected on a painted red stainless steel baseplate, one red and one green lens color, 1/2" NPT entry in the bottom unit for customer connection
UL, cUL Listed, Class I, Div 1, Groups C & D	24V DC	26200057	SM87SL2	Fluorescent status lamp, two stack 5 watt beacons interconnected on a painted red stainless steel baseplate, one red and one green lens color, 1/2" NPT entry in the bottom unit for customer connection
UL, cUL Listed, Class I, Div 1, Groups C & D	110V AC	26200058	SM87SL2	Xenon status lamp, two stack 5 joule beacons interconnected on a painted red stainless steel baseplate, one red and one green lens color, 1/2" NPT entry in the bottom unit for customer connection
UL, cUL Listed, Class I, Div 1, Groups C & D	24V DC	26200059	SM87SL3	Xenon status lamp, three stack 5 joule beacons interconnected on a painted red stainless steel baseplate, one red, one amber and one green lens color, 1/2" NPT entry in the bottom unit for customer connection
UL, cUL Listed, Class I, Div 1, Groups C & D	24VDC	26200060	SM87SL3	Incandescent status lamp, three stack 40 watt beacons interconnected on a painted red stainless steel baseplate, one red, one amber and one green lens color, 1/2" NPT entry in the bottom unit for customer connection
UL, cUL Listed, Class I, Div 1, Groups C & D	24V DC	26200061	SM87SL3	Fluorescent status lamp, three stack 5 watt beacons interconnected on a painted red stainless steel baseplate, one red, one amber and one green lens color, 1/2" NPT entry in the bottom unit for customer connection
UL, cUL Listed, Class I, Div 1, Groups C & D	110V AC	26200062	SM87SL3	Xenon status lamp, three stack 5 joule beacons interconnected on a painted red stainless steel baseplate, one red, one amber and one green lens color, 1/2" NPT entry in the bottom unit for customer connection
UL, cUL Listed, Class I, Div 1, Groups C & D	110V AC	26200066	SM87SL3	Incandescent status lamp, three stack 40 watt beacons interconnected on a painted red stainless steel baseplate, one red, one amber and one green lens color, 1/2" NPT entry in the bottom unit for customer connection
UL, cUL Listed, Class I, Div 1, Groups C & D	220V AC	26200063	SM87SL3	Fluorescent status lamp, three stack 5 watt beacons interconnected on a painted red stainless steel baseplate, one red, one amber and one green lens color, 1/2" NPT entry in the bottom unit for customer connection

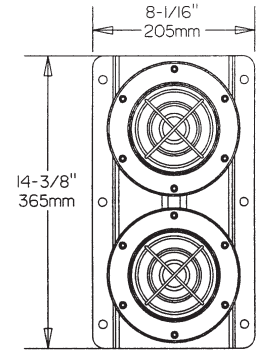
Status Lights — Explosionproof, Weatherproof

XB11 SLUL

Xenon Strobe & Incandescent Status Lights—Hazardous Locations



Certification UL Listed for:	UL Ex ATEX Class I, Div 2, Groups C & D, Class I, Zones 1 & 2, AExd IIB T4
Certified Ambient Temperature	-67°F to +158°F -55°C to +70°C
Ingress Protection	NEMA 4X & 6 IP66 & 67
Material	Corrosion-free GRP
Entries	1 x 1/2" NPT
Max. No. of Ways	5
Options: Body & lens color, tag & duty labels	



7-9/16" / 192mm DEEP

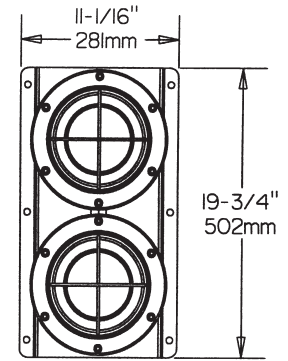
Certification	Ordering Code	Catalog #	Standard Product Configuration
UL Listed, Class I, Div 2, Groups C & D	42500005	XB11ULSL3	Explosion protected, 3 stack, one 1/2" NPT entry on bottom, 24V DC, green incandescent on top, yellow xenon flashing in middle, red xenon flashing on bottom, no lens guards, red finish

XB12 SL/FB12 SL

Xenon Strobe & Incandescent Status Lights—Hazardous Locations

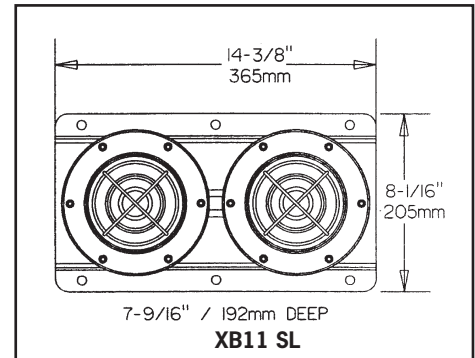
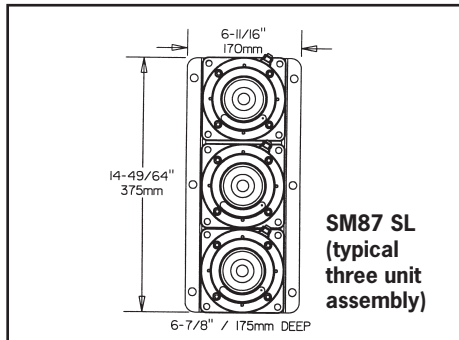
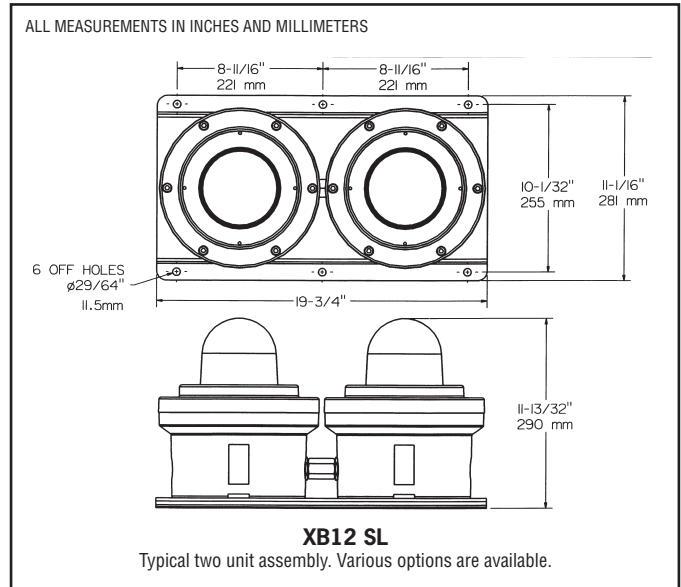
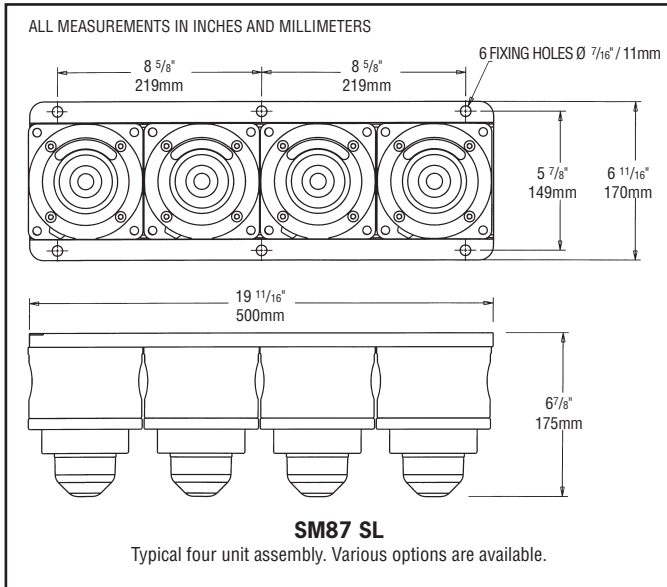


Certification UL Listed for:	UL Ex ATEX Class I, Div 2, Groups C & D, Class I, Zones 1 & 2, AExd IIB T4
Certified Ambient Temperature	-67°F to +158°F -55°C to +70°C
Ingress Protection	NEMA 4X & 6 IP66 & 67
Material	Corrosion-free GRP
Entries	1 x 1/2" NPT
Max. No. of Ways	5
Options: Body & lens color, certification, voltages 24V DC, 110–254V AC	



11-13/32" / 290mm DEEP

Certification	Ordering Code	Catalog #	Standard Product Configuration
UL Listed, Class I, Div 2, Groups C & D	42600001	XB12ULSL3	110V AC, explosion protected, three stack , one 1/2" NPT entries, red xenon flashing on top, amber xenon flashing in middle, clear xenon flashing on bottom; no lens guards, red finish
UL Listed, Class I, Div 2, Groups C & D	42600007	XB12ULSL2	24V DC xenon status lamp, two stack 21 joule beacons interconnected on a painted red stainless steel baseplate, one red and one green lens color, 1/2" NPT entry in the bottom unit for customer connection
UL Listed, Class I, Div 2, Groups C & D	42600008	FB12ULSL2	24V DC incandescent status lamp, two stack 60W beacons interconnected on a painted red stainless steel baseplate, one red and one green lens color, 1/2" NPT entry in the bottom unit for customer connection
UL Listed, Class I, Div 2, Groups C & D	42600009	XB12ULSL3	24V DC xenon status lamp, three stack 21 joule beacons interconnected on a painted red stainless steel baseplate, one red, one amber and one green lens color, 1/2" NPT entry in the bottom unit for customer connection
UL Listed, Class I, Div 2, Groups C & D	42600010	FB12ULSL3	24V DC incandescent status lamp, three stack 60W beacons interconnected on a painted red stainless steel baseplate, one red, one amber and one green lens color, 1/2" NPT entry in the bottom unit for customer connection



Specification—SM87SL Unit and XB12SL Unit

	SM87 SL	XB12 SL
Lamp Types	Xenon 5 joules maximum. Fluorescent 10W or 5W. Incandescent 40W maximum.	Xenon 21 joules. Incandescent 60W.
Voltage Frequency	50 Hz as standard. 60 Hz available if required.	
Xenon Voltages	24, 48V DC 110, 120, 240, 254V AC (see SM87 HXB data sheet for further information)	24V DC, 110V, 240V AC (see XB12 data sheet for further information)
Incandescent Voltages	12, 24, 48V DC, 110, 220, 240, 254V AC (see SM87 LU3 data sheet for further information)	120V AC (see FB12 data sheet for further information)
Fluorescent Voltages	12, 24, 48V, 220, 240, 254V AC (see SM87 LU1 data sheet for further information)	—
Lamp Colors	Red, Amber, Yellow, Green, Blue or Clear.	
Certification	UL Listed for USA and Canada Class I, Div 1, Groups C & D, Class I, Zone 1, AExd IIB T6. Listing No. E187894. CSA Certified: Class I, Div 1 & 2, Group D. Cert. No. 96406. ATEX Approved: EExd IIC T4 (incandescent), EExd IIC T6 (Fluorescent & Xenon). Cert. No. Baseefa 03ATEX0222X, CENELEC EN50014, EN50018.	UL Listed for USA and Canada Class I, Div 2, Groups C & D, Class I, Zones 1 & 2, AExd IIB T4/T5. Listing No. E187894. ATEX Approved: EExd IIB T4/T5. Cert. No. 99 ATEX 2196 CENELEC EN50014 and EN50018.
Terminals	Will accept up to 14AWG cable.	Will accept up to 6 off 10AWG cable.
Wiring	Standard configuration of internal wiring is to common the negative/neutral connections. If individually wired lamps are required, please state requirements.	
Entries	Up to 3 x 1/2" or 3/4" NPT.	1 x 1/2" NPT.
Enclosure	LM 25TF Marine Grade Alloy.	GRP.
Lens	Glass	
Finish	Epoxy paint as standard or to customer's specification.	Natural Black or Epoxy paint to customer's specification.
Ingress Protection	NEMA 4X and 6, IP66 & 67.	
Ambient Temp.	-13°F to 131°F (-25°C to +55°C) – Class I, Div 1. -67°F to +131°F (-55°C to +55°C) – Class I, Zone 1.	-67°F to +158°F (-55°C to +70°C).

Note: XB11 SLUL also available.