

**The patented Vari Cleat is intended to replace the trefoil cleat, it can be used with both single and trefoil cable formations as well as bundles, with currents up to 132kA (peak)**

**Features**

1. Ease Of Installation
2. It is compact and lightweight
3. Speed of Installation of both cleat & cable(s)
4. Corrosion Resistant
5. Overall cost
6. Versatility



**Application**



A high specification, all-metal, cable cleat at an economical price. Ideally suited for marine conditions, chemical installations and generally any harsh environments

The Vari-Cleat is suitable for mounting horizontally or vertically on cable tray, ladder racking, 41mm channel or any flat surface

The compact profile of the Vari-Cleat allows cables to be installed in areas where space is at a premium

**Installation**

The Vari-cleat has been designed to facilitate fast and easy installation of cleat and cable/s. No special tools are necessary

One or two bolt fixing. Each cleat is provided with a sequence of 2 or 3 base fixing holes suitable for M10 bolt/s and washer/s (for 41 x 41mm channel, M10 x 35/40mm bolts are recommended)

M12 Base fixing holes can be provided as an optional extra

**Flexible & Versatile**

The design makes it suitable for accomodating three cables in Trefoil formation, large diameter single cables or bundles of cables

**Cable Protection**

The twin stainless steel strap (2 x 0.6mm thick x 50mm wide) has radiused edges to avoid damage to the outer insulation of the cable

The shoulder on the end of the base acts as a locator to enable the cable/s to be positioned speedily and correctly. When the cleat is fixed on a vertical surface (with the cable/s in a horizontal plane) the shoulder helps to support the cable/s during the installation process

**Specification**

Base made from cast silicon aluminium alloy to BS1490.1988.LM6. Supplied in a natural cast finish, or alternatively in a black polyester coat finish for greater protection

Strap and other components manufactured from stainless steel (316 S31) and all functional fastners to specification A4

**Short-Circuit Test**

The Vari-Cleat has been successfully tested to:-  
 100 KA peak ( 45 KA rms ) at 1.0 metre spacings  
 120 KA peak ( 80 KA rms ) at 0.3 metre spacings

The heavy duty version of the Vari-Cleat has withstood 132 KA peak ( 73 KA rms ) at 0.3 metre spacings

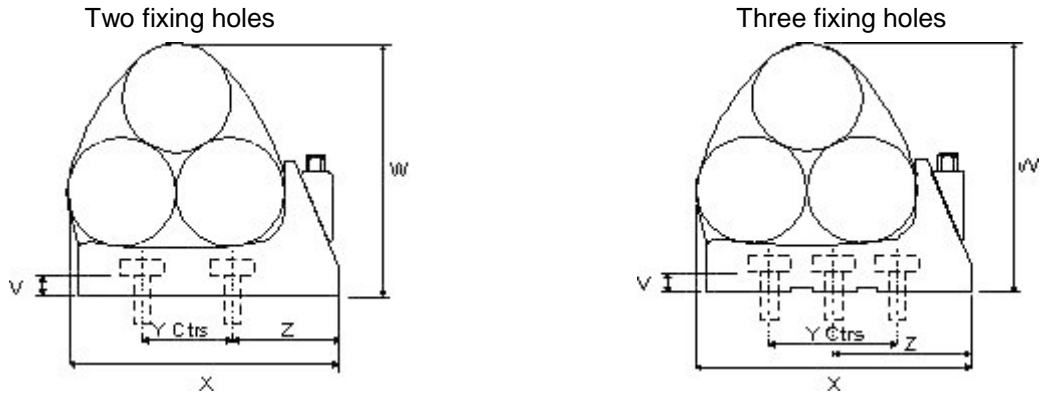
In mechanical tests it has withstood 23 kilonewtons applied in an effort to pull the strap from its base mountings

**Channel Mounting**

Two grooves on the underside of the base securely position the cleat on 41 mm wide channel

## Vari-Cleat Sizing Chart

Aluminium Bases		Cable Diameter				Cleat Weight (grams)
Cat No. (Natural Finish)	Cat. No. (Powder Coated)	Trefoil		Single		
		Min	Max	Min	Max	
VC01-A1	VC21-A1	21.0	24.0	36.0	43.0	410
VC02-A2	VC22-A2	23.0	26.0	41.0	45.0	410
VC03-A3	VC23-A3	25.0	28.0	44.0	49.0	410
VC04-A4	VC24-A4	27.0	30.0	49.0	52.0	410
VC05-B1	VC25-B1	29.0	32.0	51.0	56.0	445
VC06-B2	VC26-B2	31.0	34.0	55.0	60.0	445
VC07-B3	VC27-B3	33.0	36.0	60.0	65.0	445
VC08-B4	VC28-B4	35.0	38.0	64.0	69.0	445
VC09-C1	VC29-C1	37.0	40.0	68.0	71.5	525
VC10-C2	VC30-C2	39.0	42.0	71.5	75.5	525
VC11-C3	VC31-C3	42.0	45.0	75.5	81.0	525
VC12-C4	VC32-C4	45.0	48.0	81.0	86.0	525
VC13-D1	VC33-D1	47.0	51.0	86.0	91.0	690
VC14-D2	VC34-D2	50.0	54.0	90.5	96.0	690
VC15-D3	VC35-D3	54.0	57.0	95.5	101.0	690
VC16-D4	VC36-D4	57.0	60.0	101.0	105.0	690
VC17-E1	VC37-E1	60.0	63.5	105.0	112.0	775
VC18-E2	VC38-E2	63.5	67.0	111.0	118.0	775
VC19-E3	VC39-E3	67.0	70.5	118.0	125.0	775
VC20-E4	VC40-E4	70.5	74.0	125.0	132.0	775
VC121-F1	VC141-F1	73.0	76.5			925
VC122-F2	VC142-F2	76.5	80.0			925
VC123-F3	VC143-F3	80.0	84.0			925
VC124-F4	VC144-F4	84.0	88.0			925
VC125-G1	VC145-G1	87.0	91.0			1039
VC126-G2	VC146-G2	91.0	95.0			1039
VC127-G3	VC147-G3	95.0	99.0			1039
VC128-G4	VC148-G4	99.0	103.0			1039



**Vari-Cleat Dimensions Chart**

Base Size	Clearance Bolt Holes	Base Fixing Thickness V	Trefoil		Single		Cleat Mounting g		Base Width
			W	X	W	X	Y	Z	
A1	10	21	76	82	72	82	23	38	74
A2	10	21	80	82	76	82	23	38	74
A3	10	21	84	83	80	82	23	38	74
A4	10	21	88	86	83	82	23	38	74
B1	10	20	90	97	85	97	23	39	74
B2	10	20	93	97	89	97	23	39	74
B3	10	20	97	99	93	97	23	39	74
B4	10	20	101	103	97	97	23	39	74
C1	10	16	101	116	98	116	40	60	76
C2	10	16	106	116	102	116	40	60	76
C3	10	16	111	118	106	116	40	60	76
C4	10	16	117	124	112	116	40	60	76
D1	10	16	122	138	116	138	54	73	78
D2	10	16	128	141	121	138	54	73	78
D3	10	16	134	147	125	138	54	73	78
D4	10	16	140	153	131	138	54	73	78
E1	10	13	142	163	134	163	78	85	80
E2	10	13	149	167	141	163	78	85	80
E3	10	13	156	174	148	163	78	85	80
E4	10	13	163	181	155	163	78	85	80
F1	12	14	170	187			90	98	82
F2	12	14	177	194			90	98	82
F3	12	14	185	201			90	98	82
F4	12	14	193	210			90	98	82
G1	12	14	197	217			114	110	82
G2	12	14	205	225			114	110	82
G3	12	14	213	233			114	110	82
G4	12	14	221	240			114	110	82