

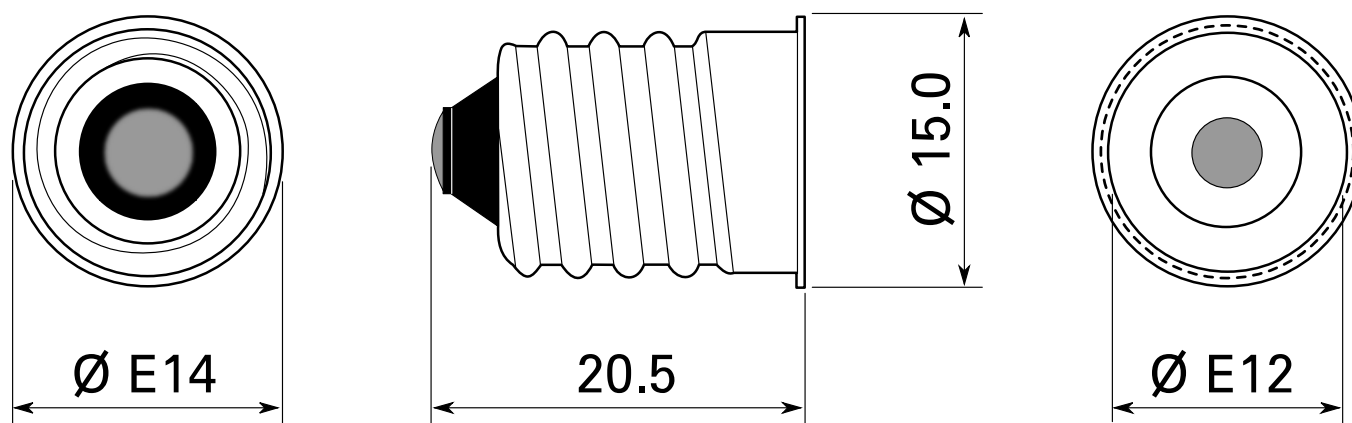


## Catalog No. 61412

Lamp socket adaptor from E14 to E12

Adaptor style is subject to change.

Dimensions in mm



*Technical Data are Subject to Change without Notice. Dimensions in mm.*