

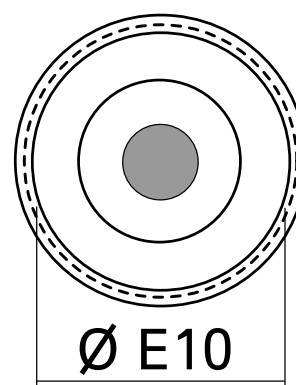
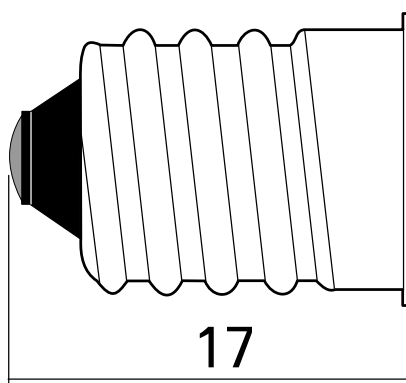
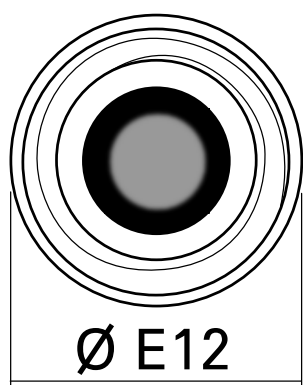


Catalog No. 61210

Lamp socket adaptor from E12 to E10

Adaptor style is subject to change.

Dimensions in mm



Technical Data are Subject to Change without Notice. Dimensions in mm.