



**E17**



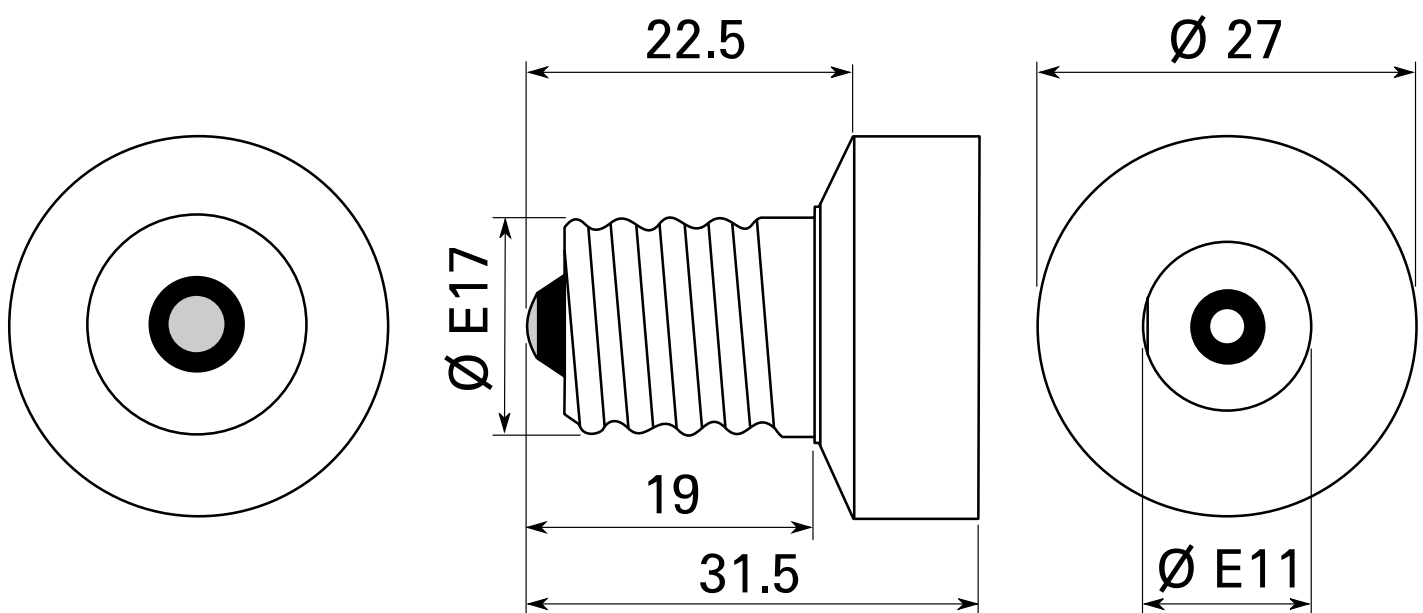
**E11**

**Catalog No. 61711W**

Lamp socket adaptor from E17 to E11

Adaptor style is subject to change.

Dimensions in mm



*Technical Data are Subject to Change without Notice. Dimensions in mm.*