



**B15d**



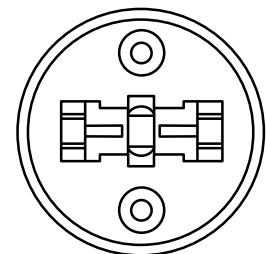
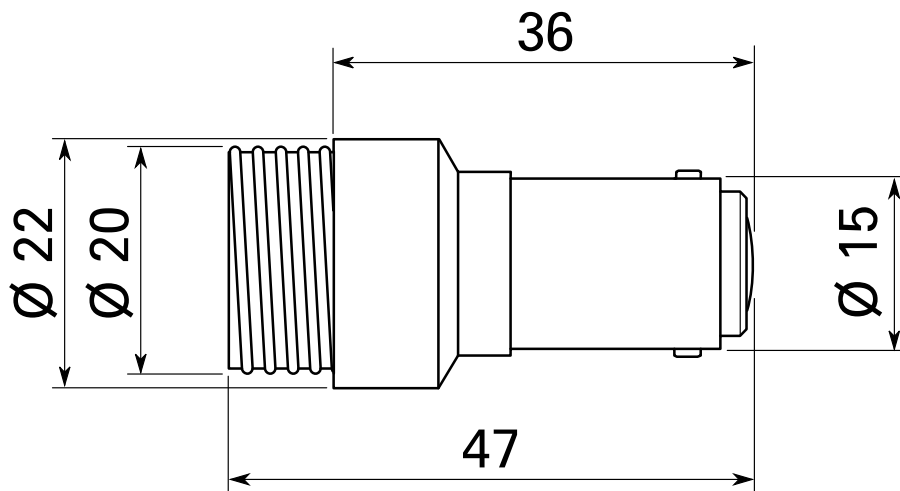
**G9**

**Catalog No. 615DG9PO**

Lamp socket adaptor from BA15d to G9TC

Adaptor style is subject to change.

Dimensions in mm



**G9TC**

*Technical Data are Subject to Change without Notice. Dimensions in mm.*