

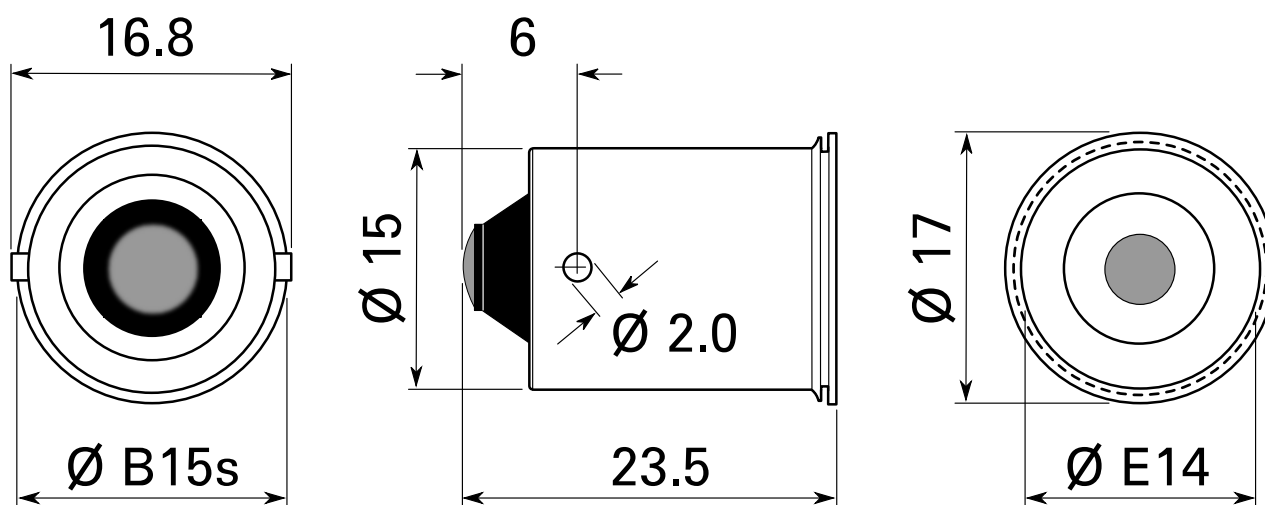


## Catalog No. 615S14

Lamp socket adaptor from B15s to E14

Adaptor style is subject to change.

Dimensions in mm



*Technical Data are Subject to Change without Notice. Dimensions in mm.*