

Outlet Strips 11095/11096 - Series

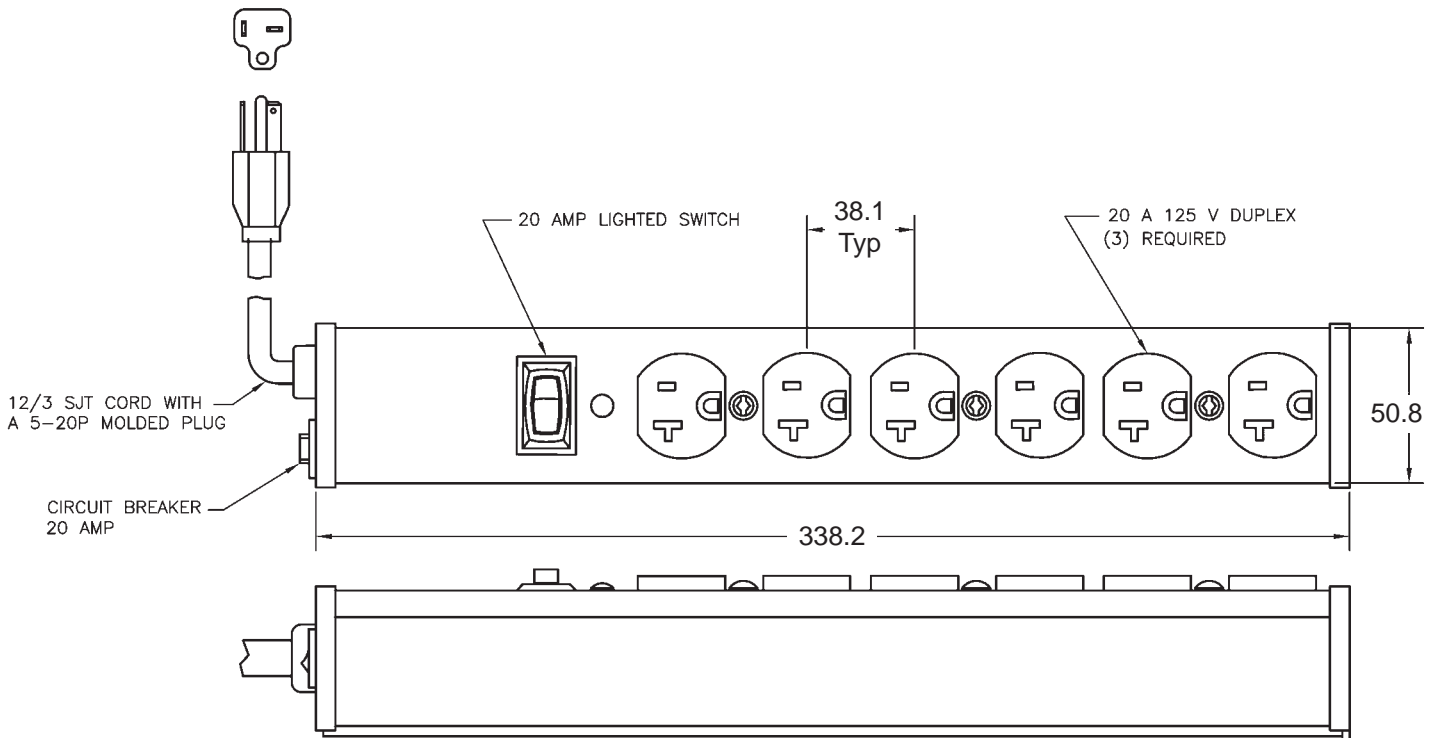
SNAP AND SLIDE MOUNTING OUTLET STRIPS

Snap and Slide Mounting



Rated at 20A, 125VAC, 60Hz
White Aluminum Housing
Power Cord is 12/3 SJT (1.8m or 4.6m)
with Molded Plug
Resettable Overload Circuit Breaker
On/Off Switch with Pilot Light
UL Listed, CSA recognized

11095/11096 series outlet strips offer 20 Amp. additional power outlets where needed. Plug-in centers are perfect for computer rooms, workstations, factories, schools, retail checkouts, entertainment centers and more. Used to connect appliances, audio/video equipment, power tools, test equipment, lighting and more. Snap-on/slide-off feature allows mounting in any position, including inverted. Includes two mounting clips w/sheet metal screws. Meets UL 1336 standard.



INSTRUCTIONS FOR ELECTRICAL OUTLET STRIPS AND SURGE SUPPRESSORS

Safety First!

Please read all instructions carefully before attempting to operate or to install the Electrical Outlets. Failure to comply with these instructions may result in personal injury and/or property damage.

For your safety, the three-prong, grounding-type plugs in all units are for use with three-prong grounded receptacles only. Modifying or bypassing the ground pin for use in a non-grounded receptacle may lead to electrical shock. All units conform to and should be installed and grounded in compliance with requirements of the current National Electrical Code or codes administered by local authorities.

Rack Mount units (Type 2 mounting) are UL recognized and CSA approved. All other units (Type 1 mounting) are UL Listed and CSA approved. All units are for interior use in dry locations only.

Do not attempt to take unit apart. If unit is opened, warranty is voided. If unit is defective, contact your dealer for return instructions.

About Your Outlet Strip

The electrical outlet strip is designed to provide extra outlets wherever needed. Each unit is 100% tested prior to packaging and features the following:

- Electrically and mechanically grounded.
- Circuit breaker protection with reset button.
- Lighted power switch (on most models).
- **NOTE:** Most units are electrically rated 15 Amps* - 120 Volts, 60Hz. This is the maximum total for entire unit, not individual outlets.

* Some models are rated 20 Amps. Please refer to unit specs.

About Your Surge & Noise Suppressor

The transient surge and noise suppressors are designed to provide protection for equipment that is sensitive to the destructive effects of power line transients, noise and their subsequent impact on electronic circuitry.

However, the Surge Suppressor is *not a lightning arrestor* and does not protect equipment in the rare instance that lightning actually strikes the building service entrance or antenna.

Each unit is 100% tested prior to packaging and features the following:

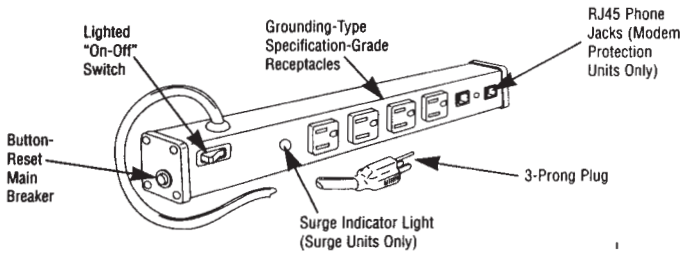
- Electrically and mechanically grounded.
- Circuit breaker protection with reset button (except SSF1, SSF1E).
- Lighted power switch (on most models).
- Surge indicator (located on most models between the first receptacle and the POWER ON/OFF switch) which indicates that your unit is operating at full protection. When the indicator light goes out, the unit should be replaced.
- Some models have the added feature of Fail Safe Automatic Shutdown which shuts off power if surge elements fail.
- **NOTE:** Maximum overall electrical rating is 15 Amps - 120 Volts per outlet strip.

Mounting Instructions

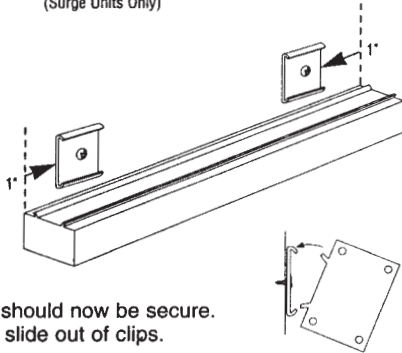
Find model number in the table to determine mounting type.

Part Number	Mounting Type	Part Number	Mounting Type	Part Number	Mounting Type
SSD66	2	SSC46	1	SSF1	n/a
SSG66	2	SSD615	2	SSF1E	n/a
SSC66F	1	SSG615	2	OSH66	1
SSC66	1	SSG66NS	2	OSH615	1

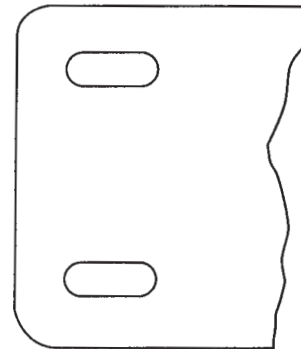
Type 1 — Snap-On/Slide-Off



1. Screw mounting clips into mounting surface on a straight line. Measure 1" from each end of unit.
2. Place outlet strip on one side of mounting clips and snap in position so unit is flush with mounting surface. Unit should now be secure.
3. To remove strip, simply slide out of clips.



Type 2 — Rack Mount



1. Position unit in rack.
2. With holes aligned, screw unit into rack until tight.

Troubleshooting

Symptom	Possible Causes	Corrective Action
No Power	<ol style="list-style-type: none"> 1. Unit may not be plugged in securely. 2. Unit may be plugged into a defective or dead outlet. 3. Main circuit breaker may be off. 4. Built-in circuit breaker may need to be reset. 5. Defective cord. 6. Fail-safe surge circuit has opened. 	<ol style="list-style-type: none"> 1. Push plug firmly into wall outlet. 2. Plug unit into a different wall outlet to verify. 3. Re-set main circuit breaker or replace fuse if needed. 4. Push re-set button on unit. 5. Contact your dealer for return instructions. 6a. Check corrective action steps 1-4 above. 6b. If pilot light is out and no power is available at strip receptacle, contact dealer for return instructions.
Shock From Outlet Strip	Not plugged into properly grounded electrical source.	Have qualified electrician check main source for proper ground wiring.
Blinking Light	<ol style="list-style-type: none"> 1. Neon bulb may be going out (should not occur before five years). 2. Fluctuation in line voltage. 	<ol style="list-style-type: none"> 1. Surge protection is still operating. 2. Have an electrician check the power lines.
Light Out	<ol style="list-style-type: none"> 1. Neon bulb burnt out. 2. Surge suppressor not operating 	<ol style="list-style-type: none"> 1. Return unit for bulb replacement. 2. Return unit for replacement.

If you find your unit to be defective, please contact for return instructions.