

75-100 Series

Bronze Pad Locking Ball Valve

Threaded, 600 psig WOG, Cold Non-Shock. 150 psig Saturated Steam.
 Vacuum Service to 29 inches Hg.
 Federal Specification: WW-V-35C, Type: II, Composition: BZ, Style: 3.
 MSS SP-110; Ball Valves Threaded, Socket-Welding, Solder Joint, Grooved and Flared Ends.

FEATURES

- Chromium plated ball
- RPTFE seats and stuffing box ring
- May be padlocked in open or closed position with no change of hardware
- Blow-out-proof stem design
- Adjustable packing gland

STANDARD MATERIAL LIST

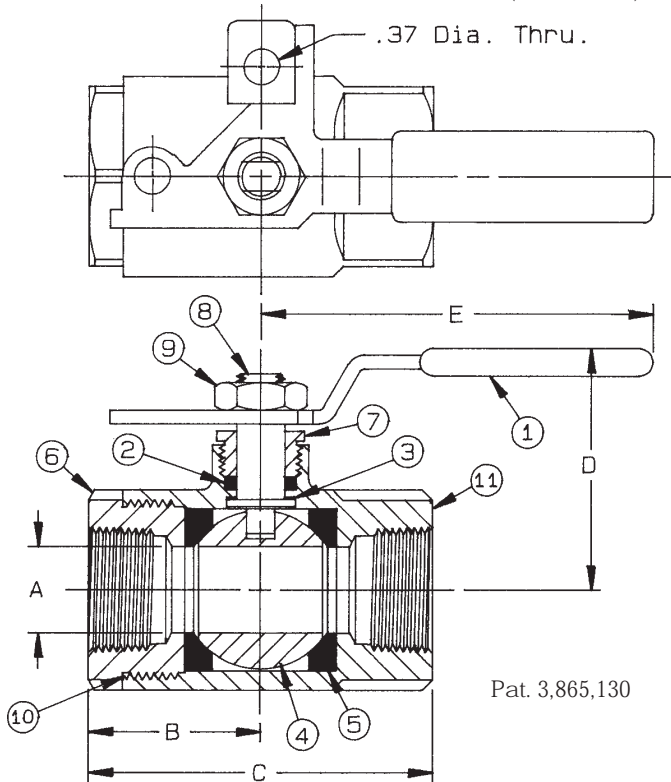
1. Lever and grip	Steel, zinc plated w/vinyl	7. Gland nut	B16
2. Stem packing	RPTFE	8. Stem	B16
3. Stem bearing	RPTFE	9. Lever nut	Steel, zinc plated
4. Ball	B16, chrome plated	10. Body seal	PTFE (1-1/4" & 2")
5. Seat (2)	RPTFE	11. Body	B584-C84400
6. Retainer	B16 (1/4" to 1") B584-C84400 (1-1/4" to 2")		

VARIATIONS AVAILABLE:

- 75-140 Series (316 SS Ball & Stem)
- 75-190 Series (Pinned Retainer)

OPTIONS AVAILABLE:

(SUFFIX)	OPTION	SIZES
-02-	Stem Grounded	1/4" to 2"
-05-	Plain Ball	1/4" to 2"
-08-	90° Reversed Stem	1/4" to 2"
-10-	SS Lever & Nut	1/4" to 2"
-14-	Side Vented Ball (Uni-Directional)	1/4" to 2"
-17-	Rough Chrome Plated - Bronze Valves	1/4" to 2"
-18-	Plain Yellow Grip	1/4" to 2"
-20-	Slot Vented Ball	1/4" to 2"
-24-	Graphite Packing	1/4" to 2"
-41-	Automatic Drain	1/4" to 2"
	see page J-8	
-49-	Assembled Dry	1/4" to 2"
-57-	Oxygen Cleaned	1/4" to 2"
-60-	Grounded Ball & Stem	1/4" to 2"
-P01-	BSPP (Parallel) Thread Connection	1/4" to 2"
-T01-	BSPT (Tapered) Thread Connection	1/4" to 2"



BRONZE PAD LOCKING BALL VALVE

NUMBER	SIZE	A	B	C	D	E	Wt.
75-101-01	1/4"	.43	1.12	2.25	1.81	3.00	.80
75-102-01	3/8"	.50	1.12	2.25	1.81	3.00	.77
75-103-01	1/2"	.50	1.12	2.25	1.81	3.00	.70
75-104-01	3/4"	.87	1.68	3.37	2.25	3.87	2.03
75-105-01	1"	.87	1.68	3.37	2.25	3.87	1.83
75-106-01	1-1/4"	1.00	2.00	4.00	2.62	5.50	3.48
75-107-01	1-1/2"	1.25	2.18	4.37	2.87	5.50	4.23
75-108-01	2"	1.50	2.34	4.68	3.06	5.50	5.69

**For Pressure/Temperature Ratings,
 Refer to Page M-8, Graph No. 4**