

Hotflo 10/15



Hotflo range sets a new standard in value for money small unvented water heating. Hotflo can service up to three basins and incorporates a copper inner container, requiring no anode, to achieve optimum performance in terms of durability and corrosion resistance.

To provide an added level of safety, recommend the fitting of a separately available Temperature and Pressure Relief Valve on heaters of 15 litres and below, although this is not required under the latest British Standards.

Features

- Choice of 10 or 15 litre units
- Replaceable copper inner container with 2.2kW integral heating element
- No anode to inspect or replace
- Externally adjustable thermostat 10-70°C
- Supplied with pressure relief valve
- CFC-free insulation
- Element 'ON' indicator
- Suitable for use with any standard tap or mixer
- Fitted with 1 metre of 3 core flex
- Comprehensive installation instructions
- BEAB and WBS approved

Specification

Anode: Not required.

Approvals: BEAB and WBS approved.

Manufactured in the UK in a BS EN ISO9001:2000 registered factory.

Capacities: 10 and 15 litre.

Outer Casing: White plastic top moulding with corrosion-proof steel base and centre section, finished in white stove-enamel.

Rating:

Hotflo 10 and 15: 2.2kW @ 240V.

Hotflo 10 and 15: 2.0kW @ 230V.

Safety Features: Pressure Relief Valve set to open at 6 bar. Resettable over-temperature cut-out.

Thermal Insulation: CFC-free expanded polystyrene.

Thermostat Spec: Rod-type externally adjustable from 10°C to 70°C.

Water Container Integral Heat Unit: Replaceable heavy gauge copper inner container, designed for 6 bar working pressure and type tested to 20 bar (290 psi), with embedded rod-type element sheathed in corrosion resistant alloy.

Installation Details

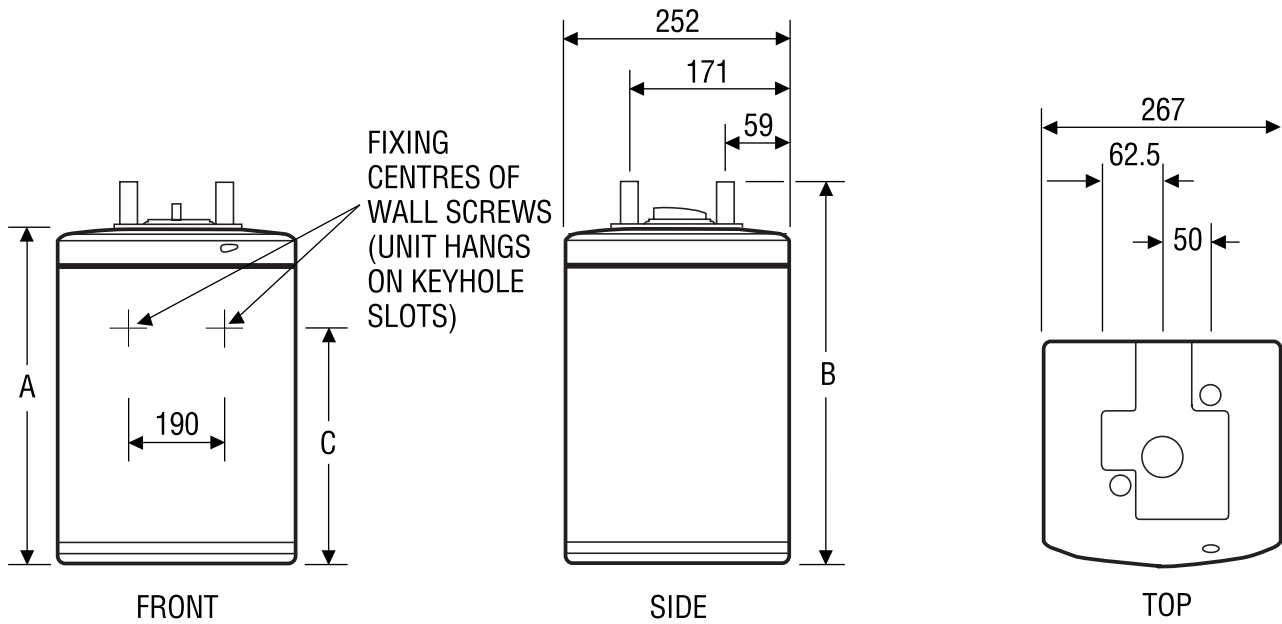
Electrical: The unit must be permanently connected to the electrical supply through a double-pole linked switch with minimum breaking capacity of 13 Amps. Must conform to current IEE wiring regulations.

Mechanical: Must be mounted in the vertical position with inlet/outlet at the top. Floor or wall mounted (two screws/ keyhole slots).

Plumbing: 15mm copper tail ends. Minimum water pressure 0.8 bar (12 psi). For pressures above 4.1 bar (60 psi), Packs U1 and U5 must be used. NB: The pressure relief valve supplied must always be fitted.

Safety Valve Discharge: The pressure relief (expansion) valve or temperature & pressure relief valve (if used) must be plumbed to discharge in a safe visible location.

Temperature Relief Valve: Optional Pack U6



Specification and Ordering Guide

Model	Capacity litre	Rating @240V kW	A mm	B mm	C mm	Weight		Product Code
						empty kg	full kg	
Hotflo 10	10	2.2	457	500	360	6.5	16.5	95:050:148
Hotflo 15	15	2.2	613	656	516	8.4	23.4	95:050:149
Accessory pack U1								95:970:352
Accessory pack U3								95:970:354
Accessory pack U5								95:970:356
Accessory pack U6								95:970:359
Replacement inner container with integral element								
	10	2.2						95:608:916
	15	2.2						95:608:917

Accessory Pack U1



For use with Hotflo and Multipoint 10 and 15 litre.

Combined Pressure Reducing Valve and Strainer. The Pressure Reducing Valve limits water pressure to 3.5 bar (50 psi). The Strainer filters coarse impurities from the water supply.

Where Pack U1 is fitted, it MUST be used with either Pack U5 (Hotflo) or Pack U2 (Multipoint)

Accessory Pack U3



Thermostatic Blending Valve with Integral Check Valves and Strainers.

The Blending Valve allows water to be stored at high temperatures and blended with cold water to a preset outlet temperature. This provides over-temperature protection, and is ideal for the control of Legionella and the extension of system capacities. Complies with BS 1415 part 2.

Accessory Pack U5



Expansion Vessel and Check Valve

The Expansion Vessel, when fully charged, will absorb all expanded water produced by the Hotflo heater during normal operation. The Check Valve prevents backflow of hot water and eliminates any possibility of cross-contamination between cold and hot water.

Accessory Pack U6



Temperature and Pressure Relief Valve

The Temperature and Pressure Relief Valve is recommended to give an additional level of safety to Hotflo. It is pre-set to open at 7 bar (101.5 psi) and 90°C. Pack U6 is the only Temperature and Pressure Relief Valve recommended for use with Hotflo Unvented Heaters.