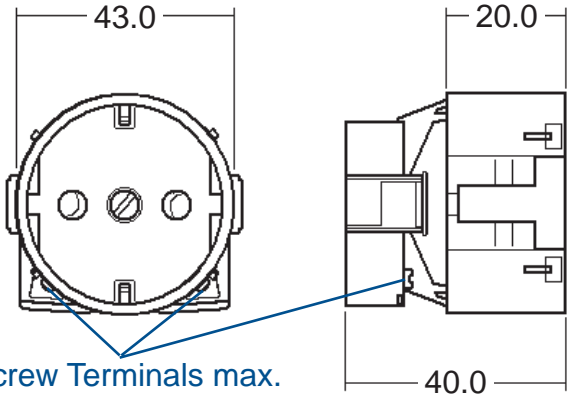
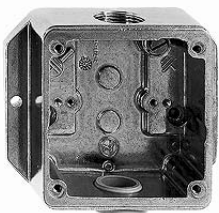


Germany SCHUKO Flush Receptacle

for use with Die Cast Aluminum Devices



Catalog No.	Description	Weight/ea	VPE/Pack	EDP-No.
6600-140/20E	SCHUKO Flush Mount Receptacle, Light Gray, 10/16A, 250V, Screw Terminals according VDE 0620, Child Protected	51 g	10	108187



902.AGB.09

Further die cast aluminum devices available on request.



6600-140/20E



8709.AGU.Y.09



8709.AG.Y.09



8709.AGB.09
Complete Surface Unit
(1) Surface Box
(1) SCHUKO Receptacle
(1) Cover IP54 (IP64)

To learn more about B-I-A please visit us at our
WEB site: www.BiaGmbH.com

