

Model: **BCS18.3-4LR-01/220-240**
 BIA P/N: 126327 10050999



Non-Dimmable Electronic Ballast

GENERAL TECHNICAL DATA

- **Mains voltage supply**
 Rated voltage range: **220 to 240 Volt AC**
 Frequency: **0, 50 to 60 Hz**
 Admissible voltage range for continuous operation: **198–264 Volt AC**
- **Battery operation**
 Voltage range for continuous operation/lamp start: **198–276 Volt DC**
 Lowest limiting value for temporary operation: **176 Volt DC**
- **Overvoltage protection, mains side: 350 Volt AC / 2h**
- **Leakage current/ECG: < 0.5 mA**

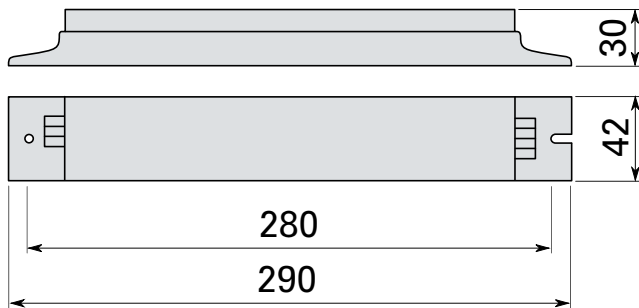
CONFORMITY WITH REGULATIONS

- EN 61347-1
- EN 61347-2-3
- EN 61347-2-3 annex C
- EN 60929
- EN 61000-3-2
- EN 61000-3-3
- EN 61547
- EN 55015 (< 300 MHz)
- EN 55022

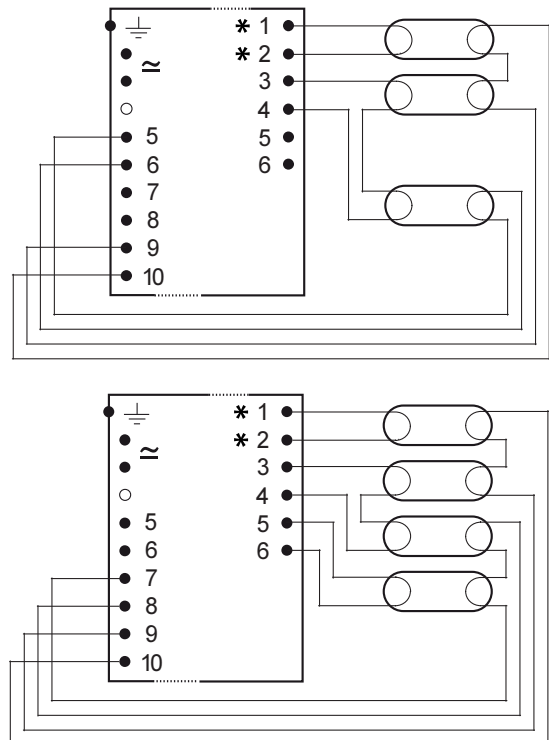
Lamp Type	System Rating	Input Current	Operating Frequency	Power Factor	Lamp Power	Approvals
3x T8 18W	57W	0.25A	46kHz	0.98	16W	ENEC, VDE (EMC)
4x T8 18W	76W	0.33A	46kHz	0.99	16W	ENEC, VDE (EMC)

All data for $U_{\text{mains}} = 230\text{V AC}$

Max. t_c : 75°C
 Ambient Temp: -20°C to $+60^\circ\text{C}$
 Weight: 0.28kg



* keep wires short



Technical data and dimensions are subject to change without notice.

Dimensions in mm.