

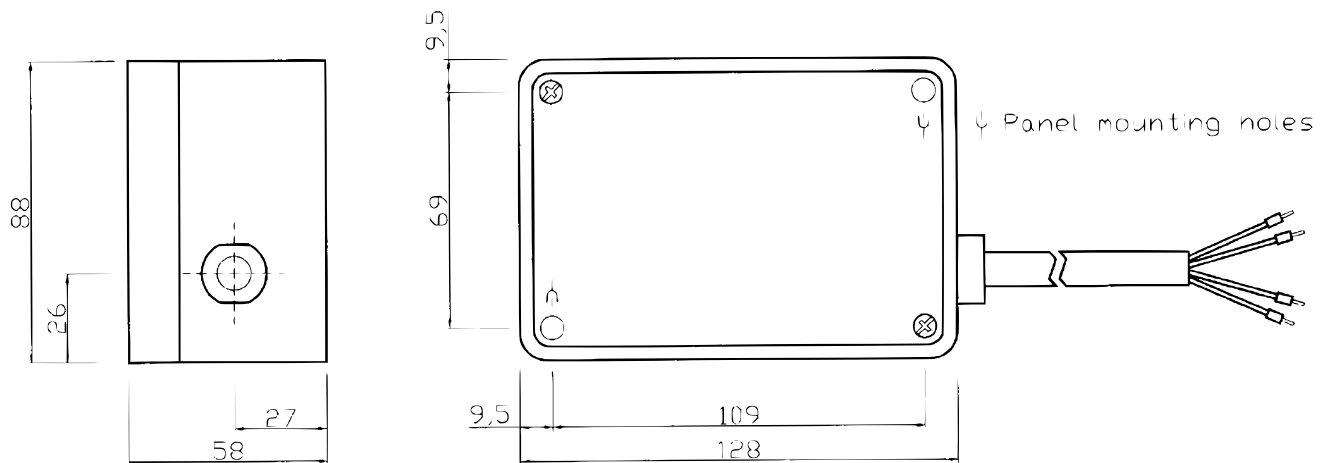
AD1540P-AD1540P/S

Timer technical characteristics

**Timer units for immediate restrike igniters
(Metal Halide lamps)**

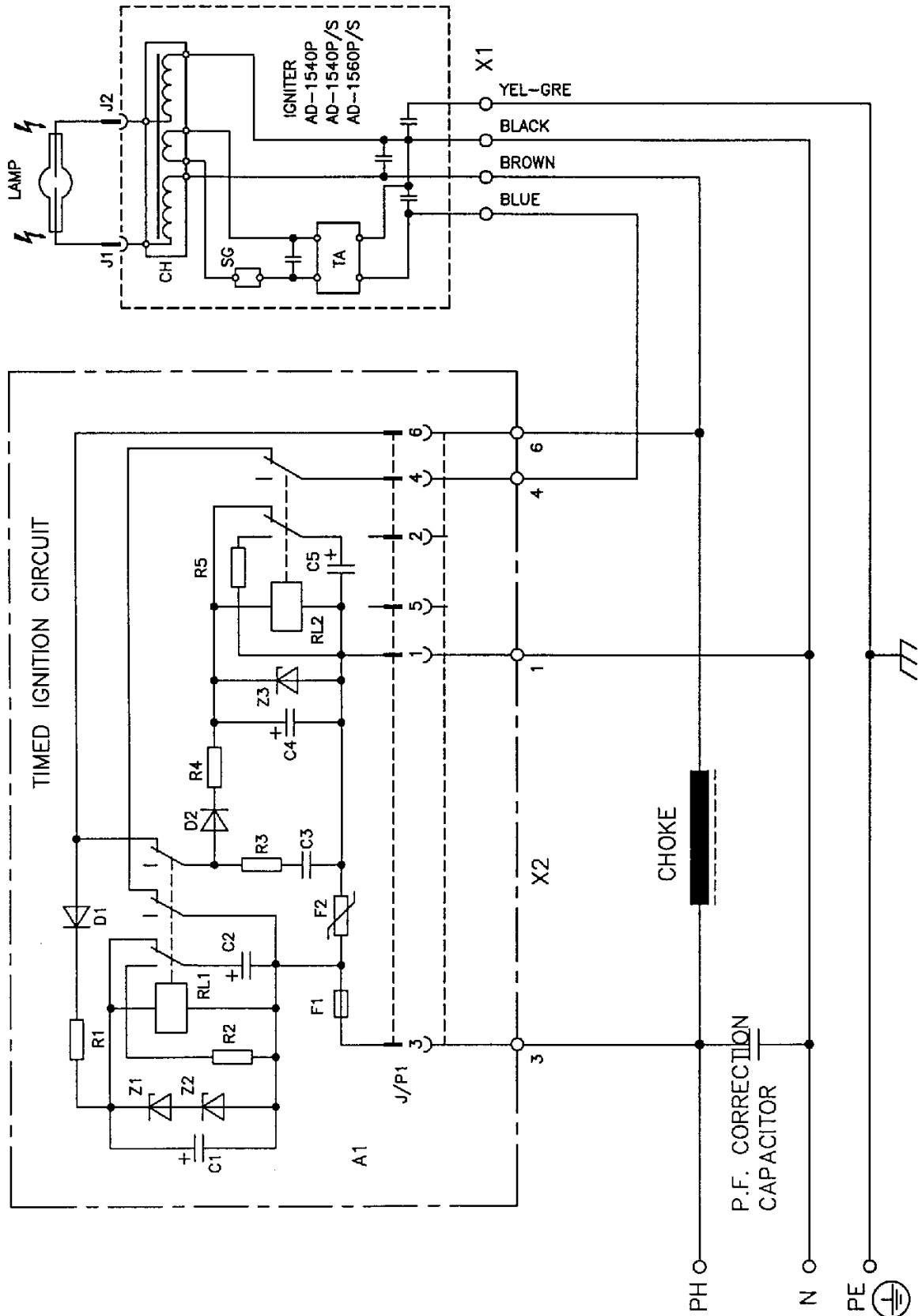
	Item no. 02820097	Item no. 02820096
Nominal input voltage	230V	400V
Frequency	50/60Hz	50/60Hz
Input voltage range	198-259V	342-448V
Ignition contact current	5A	5A
Ignition time range	0.2 to 0.4s at V_{NOM}	0.5 to 1s at V_{NOM}
Max. ignition time	6s at V_{NOM}	6s at V_{NOM}
Typical reset time	0.2s at V_{NOM}	0.2s at V_{NOM}
	(with lamp switched off due to a mains interruption typically 10 ms)	(with lamp switched off due to a mains interruption typically 10 ms)
Ambient temperature	-20°C +50°C	-20°C +50°C
Fuse	6.3A T	6.3A T
Weight	0.3kg	0.3kg
Dimensions	128x88x58 mm	128x88x58 mm
Output cable length	210 ±10 mm	210 ±10 mm
Wiring diagram	S34100	S34101

Timer dimensions



AD1540P-AD1540P/S

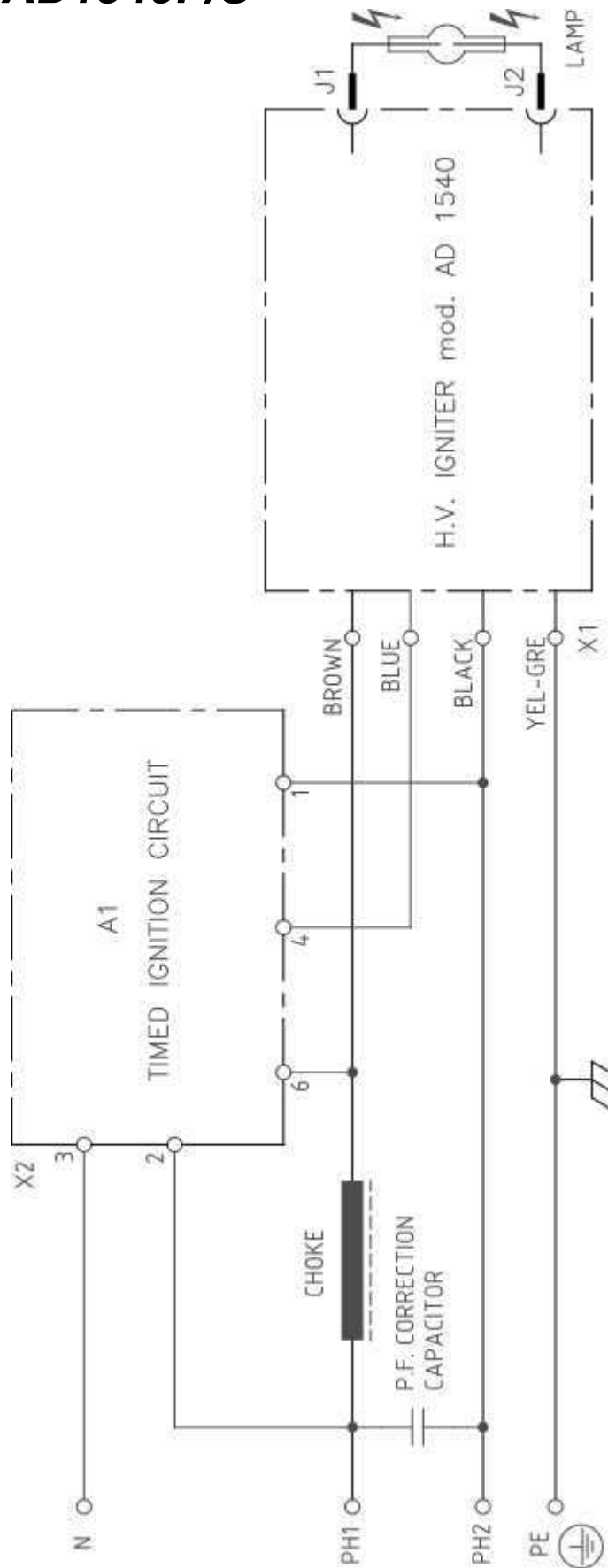
S35587



Wiring diagram for Metal Halide Lamps up to 18A 230V 50Hz

AD1540P-AD1540P/S

S34101



Wiring diagram for MHD 1800W 400V 50Hz lamp

(TWO PHASES WITH NEUTRAL)