

Israel - Flange Mounting Receptacle, 16A, 250V AC, IP-X5

Single Flange Mount Receptacle, 16 Amp, 250 Volt AC, 2 Pole 3 Wire Grounding

SPECIFICATIONS

- Ratings: 16 Amp, 250 Volts AC
- Pole/Wire: 2P 3W Grounding (2P + E)
- Standards: According Latest Israelian Standard SII (Round Pins)
- Housing Material: Thermoplastic, Fire Resistant, Unbreakable
- Terminals: Screw, Back Wired
- Standard Color: Blue
- Ingress Protection: IP-X5

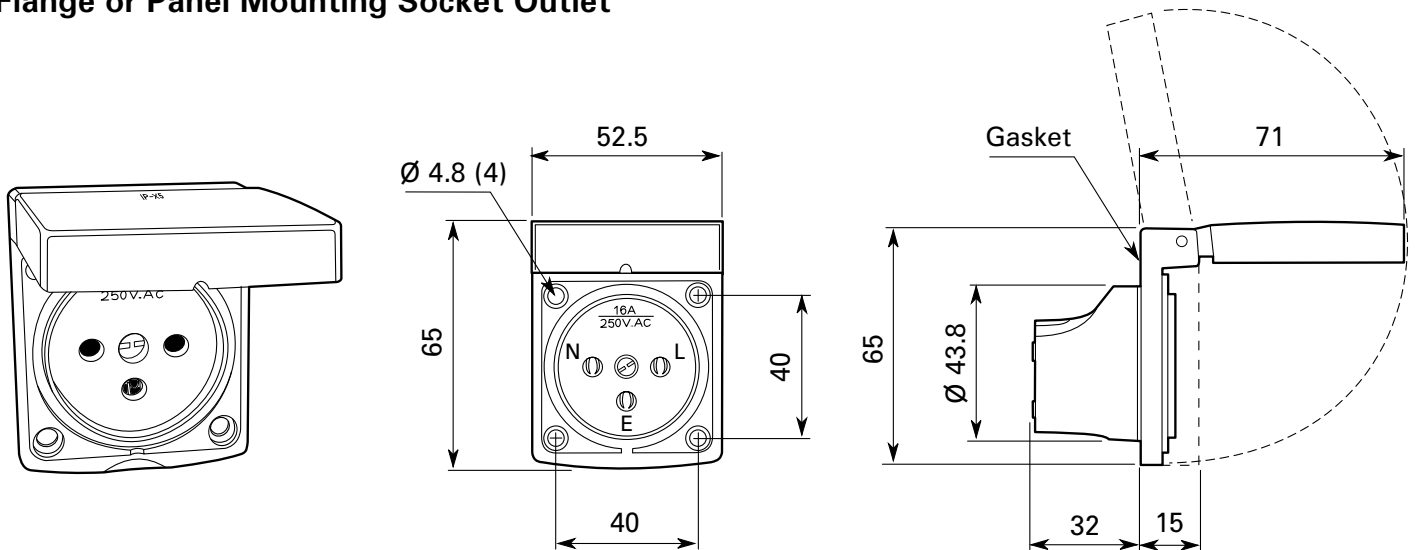


5901-BL

Gasket

Catalog No.	Color	Description	Weight/each	VPE/Pack	EDP No.
5901-BL	Blue	Single Flange Mount Receptacle, 16A, 250V AC, Wet Location Rated IP-X5, supplied with Gasket	58 g net.	300/30	126065

Flange or Panel Mounting Socket Outlet



Technical Data are Subject to Change without Notice. Dimensions in mm.