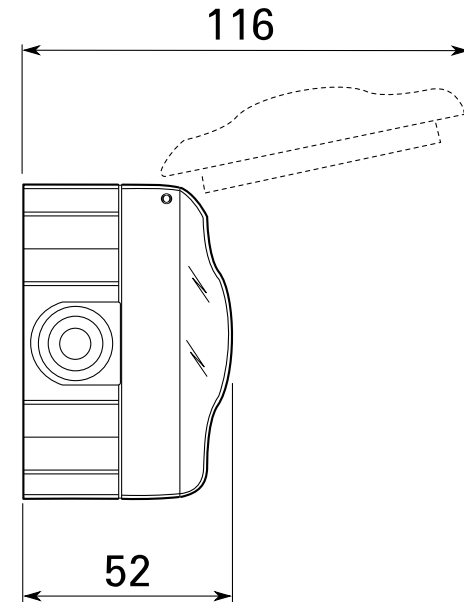
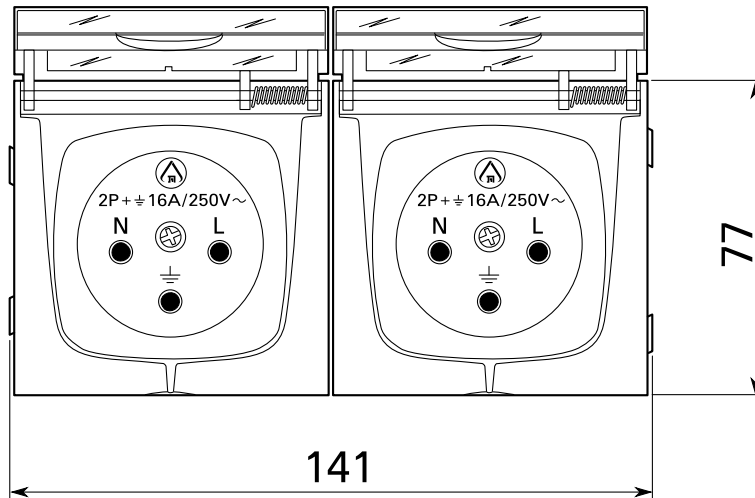
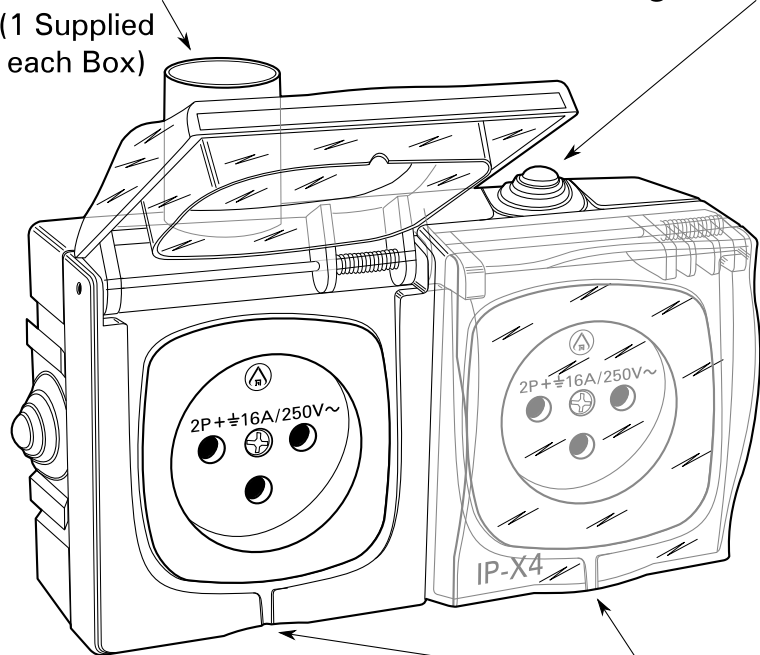
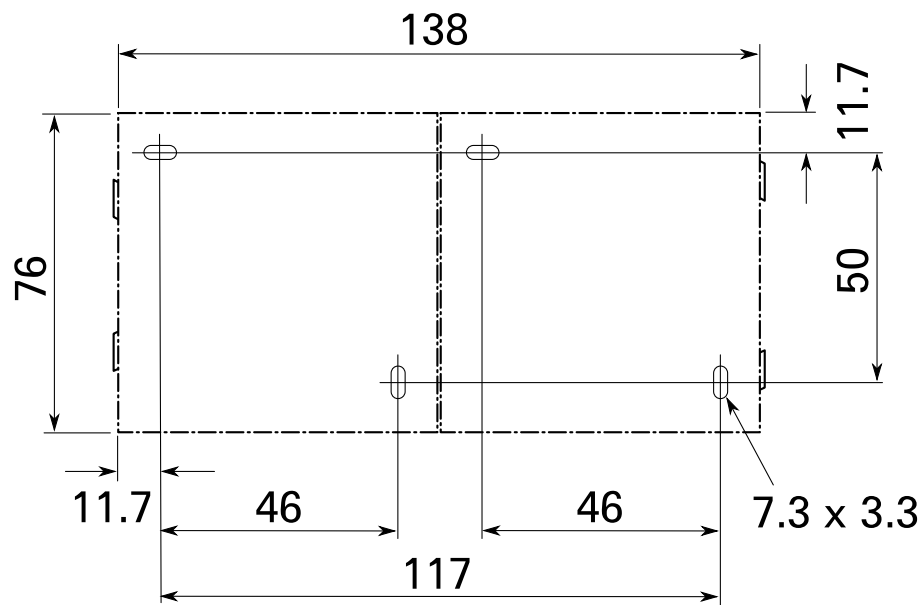


Conduit Connector
(1 Supplied each Box)

Closing Cut-Out Plug (3 Supplied each Box)



Drainage



Drilling Plan

Surface Mounting 2-Gang Socket Outlet Israel, Wet Location IP-X4, 16 Amp, 2P + E, 250 Volt AC, according SI 32 (1989) Israel SII, RoHS compliant, Shuttered for Child Safety, Screw Terminals, White Housing with Clear Self-Closing Flaps (Lids), Fire and UV Resistant Polycarbonate

Sockets are Gangable for 2-Gang to 4-Gang etc. (Basic Socket 55512-WH), Supplied with Closing Cut-Out Plugs (1 Top, 2 Side), and additional (1) Conduit Connector (Dia. 22 x 30)mm, Inside Dia. 20mm, each Box (Socket Outlet)

Tolerance	Approved		Date		www.biagmbh.com Copyright © B-I-A GmbH, Germany		
	Updated		Date		B-I-A Vertriebs GmbH		
	Drawn	jup	Date	2010-12-10	www.biaonline.com info@biagmbh.com		
	Catalog No.	55522-WH		P/N Line	126551	L4615	
	Drawing No.	55522FE-00	Rev. A	Material	Polycarbonate	Unit	mm
				Scale			