

CLASS 2000 3-Phase KWH/Demand Meter

Energy Monitoring Products & Systems

Features

- Direct-read 8-digit LCD display without multiplier displays cumulative kWh and "real-time" kW load.
- Demand option displays kW/Demand and kW Peak date and time (15 minute interval standard, 30 minute interval available.)
- Revenue Grade Metering Accuracy.
- 0-2 volt output split-core current sensors promote enhanced safety and accurate remote mounting of current sensors up to 2000 feet from meter without power interruption. (Optional solid-core sensors available for 100 & 200 Amp meters.)
- Current sensor installation diagnostic indicator.
- Parallel up to three (3) sets of current sensors for cumulative reading.
- Meter can be used on the following configurations:
 - 3-Phase, 4-Wire
 - 3-Phase, 3-Wire
 - 2-Phase, 3-Wire
 For other configurations contact factory.
- Optional terminal block for fixed-value pulse output.
- Industrial-grade JIC steel enclosure with padlocking hasp and mounting flanges for indoor installations with 1 1/16" KO (3/4" Cond.) on bottom of enclosure.
- Optional Enclosures:
 - MMU (Multiple-Meter Unit) Cabinets
 - NEMA 4X Raintight Enclosure
- Compatible with D-Mon accessories.
- Non-volatile Memory.
- UL/CUL Listed.
- Certified to ANSI C12.1 and C12.16 electronic meter National Accuracy Standards. (+/- 1% from 1%-100% of the rated load.)
- California CTEP approved for use with solid-core current sensors. Listed by the California Energy Commission.
- New York City approved, Con Edison approved for RSP program.



Dimensions: 7 1/4" H x 7" W x 3 1/4" D

Model Numbers

120/208-240V, 3-Phase, 4W
240V, 3-Phase, 3W
 208100 KIT (100 amp)
 208200 KIT (200 amp)
 208400 KIT (400 amp)
 208800 KIT (800 amp)
 2081600 KIT (1600 amp)
 2083200 KIT (3200 amp)

277/480V, 3-Phase, 4W
480V, 3-Phase, 3W
 480100 KIT (100 amp)
 480200 KIT (200 amp)
 480400 KIT (400 amp)
 480800 KIT (800 amp)
 4801600 KIT (1600 amp)
 4803200 KIT (3200 amp)

NOTE: All meter kits include one set of three (3) split-core current sensors

For demand option add suffix "D" to the model number.
 e.g., 208400D KIT

For MMU-style add suffix "M" to the model number.
 e.g., 4803200M KIT

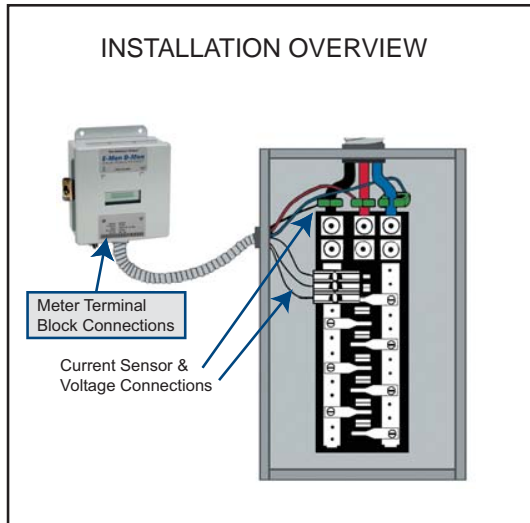
For outdoor enclosure add suffix "R" to the model number. e.g., 208200R KIT

For optional terminal block for fixed-value pulse output add suffix "ST" to the model number. e.g. 2081600ST KIT

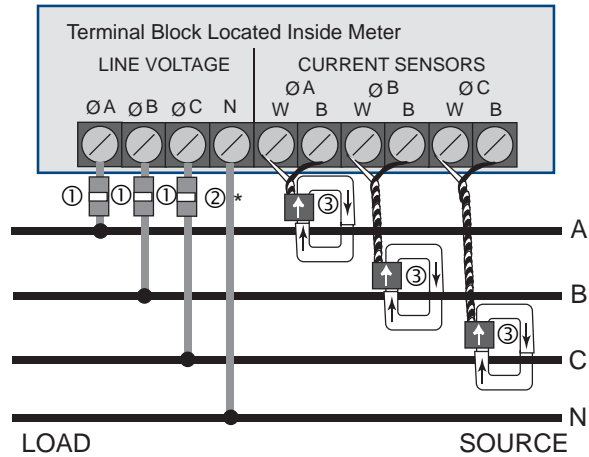
*Also available with built-in wireless communication. (Class 2100)

METER INSTALLATION OVERVIEW

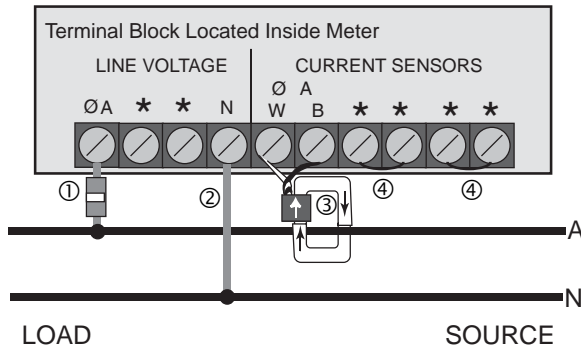
Energy Monitoring Products & Systems



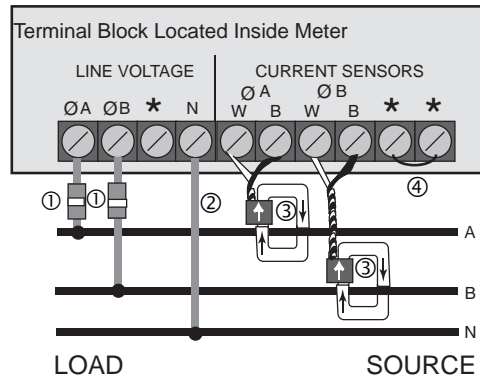
**3-PHASE, 3-WIRE OR 3-PHASE, 4-WIRE
INSTALLATION DIAGRAM**
(Class 2000 or 5000 Series Only)



**1-PHASE, 2-WIRE 120 or 277 VOLT
INSTALLATION DIAGRAM**
(Class 1000 Series Only)



**SINGLE-PHASE, 3-WIRE
120/240, 120/208 or 480 VOLT
INSTALLATION DIAGRAM**
(Class 1000, 2000 or 5000 Series)



* These terminals are not used in Class 1000 installations.

- ① Recommended fuses or circuit breaker per the National Electrical Code (Meter load 6VA.)
- *② Neutral not used in delta system.
- ③ Split-core current sensors. Install according to instructions.
- ④ Install jumper wire.

Typical Fuses: Littlefuse KLDR.100 (100 ma) Not included. (Consult local electrical codes for requirements.)