

Argentina

Flush or Panel Mounting Receptacle

Ratings: 10 Amp, 250 Volt AC

2-Pole 3-Wire Grounding (2P + E)

Industrial Version

Shuttered Line & Neutral

Standard: IRAM 2071



126.310 DG

ORDERING INFORMATION

Catalog No.	Color	Description	Quantity
126.310 DG	Dark Grey	Socket Outlet, 10A/250V AC	3000/100
126.310 IV	Ivory	Socket Outlet, 10A/250V AC	3000/100

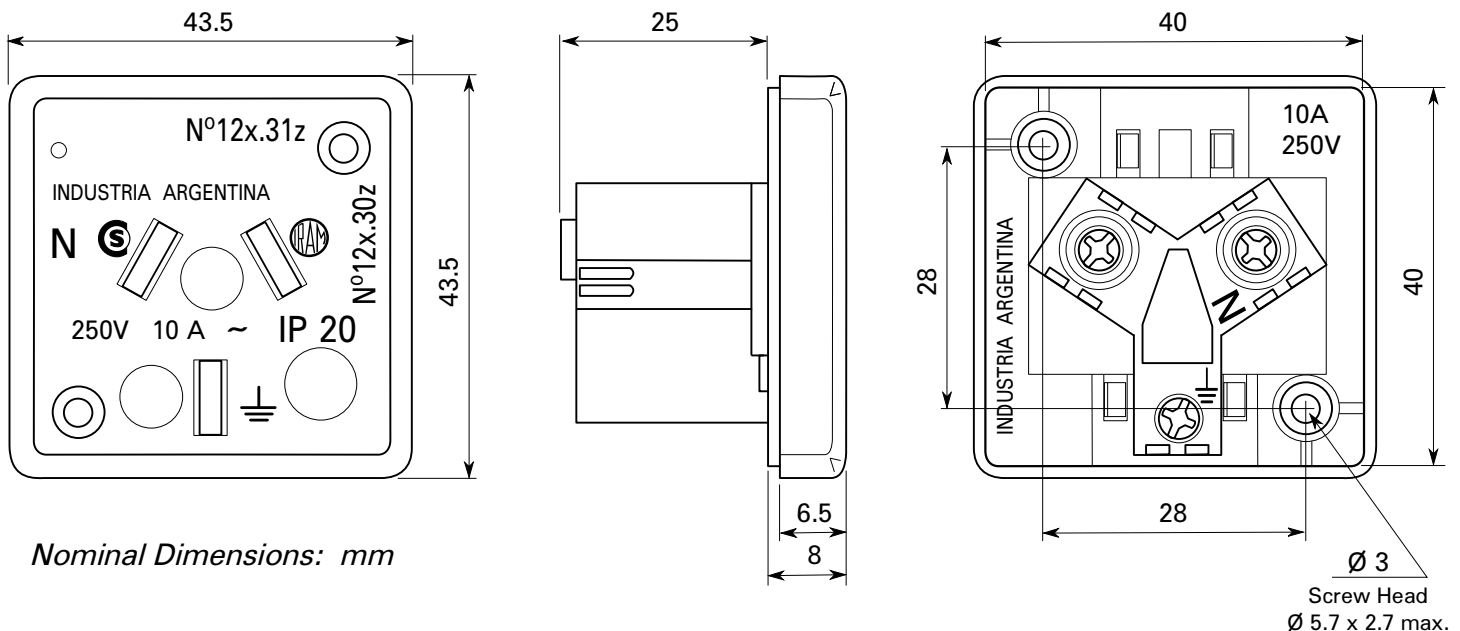


126.310 IV

Usual rated currents in Argentina are 10 Amp for normal use (eg. household or commercial applications) and 20 Amp for higher loads (eg. air conditioners or industrial applications).

Argentina plugs 10 Amp, which are used for applications of the Class I, are similar in appearance to the plugs in Australia or China, are however very different: the pins are longer, the body dimensions slightly different and most importantly, the wiring differs — the positions of phase (active) and neutral conductor are connected inversely.

Product Dimensions



NOTE: Technical data are nominal for information only and subject to change without notice.