

CORDS & ELECTRICAL

3 CONDUCTOR INTERNATIONAL POWER SUPPLY CORDS

AUSTRALIA

SAA

3 CONDUCTOR POWER SUPPLY CORD APPLICATIONS:

- With Equipment to be Used in Australia
- On Computer Related Equipment
- With Communication Equipment and Other Electronics

CHARACTERISTICS

OPERATING TEMPERATURE:

- 15°C to 70°C

VOLTAGE RATING:

- 250 Volt

COLOR DESCRIPTION:

- Color Code: Blue, Brown, Green/Yellow
- Jacket Color: Black

PRODUCT DESCRIPTION:

- Conductor: Stranded Bare Copper
- Insulation: Color-Coded PVC
- Jacket: PVC

SPECIFICATIONS

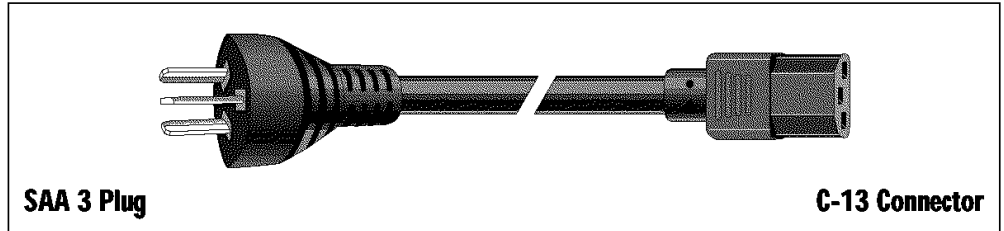
- SAA – Australia



Australia

AVAILABILITY

- 25 Piece Packages



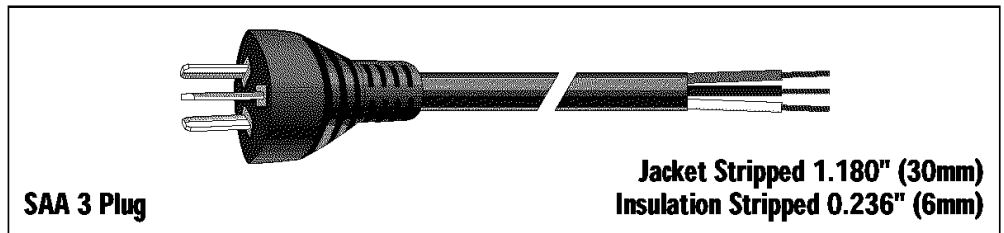
SAA 3 Plug

C-13 Connector

UNSHIELDED

CORDAGE TYPE: HO5VVF3G1.00

Part No.	Length		Conductor				Diameter Nominal		Power Rating		
	Ft.-in.	m	Approx. AWG	mm ²	Strand	mm	In.	mm	Watts	Amps	Volts
910	8.2	2,5	16	1,00	31/32	31 x ,20	.270	6,80	2500	10	250



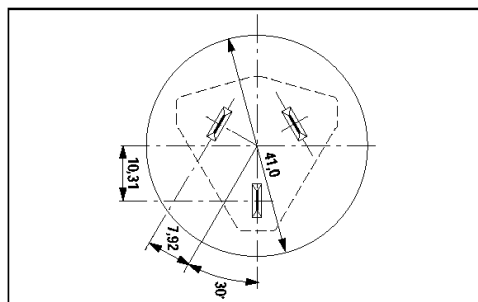
SAA 3 Plug

Jacket Stripped 1.180" (30mm)
Insulation Stripped 0.236" (6mm)

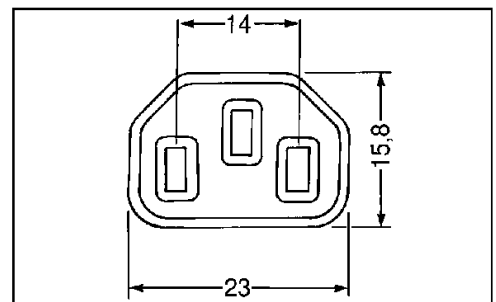
UNSHIELDED

CORDAGE TYPE: HO5VVF3G1.00

Part No.	Length		Conductor				Diameter Nominal		Power Rating		
	Ft.-in.	m	Approx. AWG	mm ²	Strand	mm	In.	mm	Watts	Amps	Volts
911	8.2	2,5	16	1,00	31/32	31 x ,20	.270	6,80	2500	10	250



P/N 910 and 911 PLUG



P/N 910 CONNECTOR