

THE
VARIABLE
LIGHT OUTPUT
ELECTRONIC BALLAST

B232SR120V5 & B232SR277V5

APPLICATION and PERFORMANCE SPECIFICATION

Description: High frequency dimming electronic ballast for (2) F32T8 lamps.
Also equivalent U-shaped lamps.

- Line Voltage: 120vac or 277vac, ±10%, 60Hz
- Series Lamp Operation
- Rapid Start
- Active Power Factor Correction

Ballast Voltage	Lamp		Input Watts	Nominal Line Amps	Power Factor	Ballast Factor	Ballast Efficacy Factor	Total Harmonic Distortion	Crest Factor
	Type	#							
120	F32T8@100%	2	62	0.52	>.99	.88	1.42	< 10%	<1.6
120	F32T8@5%	2	13	0.12	>.90	.05	0.38	< 10%	<1.7
277	F32T8@100%	2	62	0.23	>.99	.88	1.42	< 10%	<1.6
277	F32T8@5%	2	13	0.05	>.90	.05	0.38	< 15%	<1.7

Application and Performance Specification Information Subject to Change without Notification.

Performance:

- Meets ANSI Standard C82.11-1993
- Meets ANSI Standard C62.41-1991
- Meets FCC Part 18 for EMI and RFI Non-Consumer Limits

Safety:

- No PCB's
- UL LISTED (Class P, Type 1 Outdoor)
- CSA Certified

Application:

- Minimum Starting Temperature: 50° F, 10° C
- Maximum Ambient Temperature: 105° F, 40° C
- Sound Rated: A+
- May not be compatible with some "powerline carrier" and/or infrared systems; consult factories
- Dimming Range: Continuous; **100% to 5% light output**
- Remote Mounting Distance: 12 ft.
- **Line voltage protection for control circuit**

Physical Parameters:

- Length: 9 1/2"
- Width: 2 3/8"
- Height: 1 5/8"
- Weight: 2.3 lbs.
- Carton Qty: 10
- Lead Length: White, Black 25" (± 1")
Red, Blue 33" (± 1")
Yellow 51" (± 1")
Gray, Violet 33" (± 1")

Warranty:

The manufacturer warrants to the purchaser that each electronic ballast will be free from defects in material or workmanship for a period of 5 years from date of manufacture when properly installed and under normal conditions of use.

DIMMING CONTROL SPECIFICATIONS:

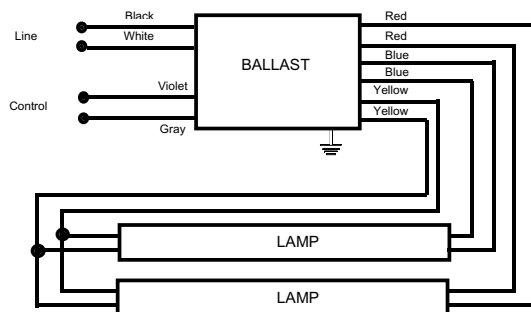
- **10 to 0 vDC Voltage Control**
 - 10v = maximum output
 - 0v = minimum output
- **Built-in line voltage protection circuit. Ballast goes to 30% dim if line voltage is applied to control leads**

- Can be wired as Class 1 or Class 2 Circuit
- Ballast will Source a Max. of 0.5mA for control needs

Energy Engineered™

Control Wiring

- Use Violet & Gray for connection to 0 to 10 vDC. Ballast protected if line voltage is applied.



Manufactured in USA

Ballast Case Must be Grounded

Wiring Violet & Gray together equals 5% light output. Capping violet & gray separately equals 100%.