

TRIAD® B332I120RH-A

APPLICATION and PERFORMANCE SPECIFICATION

Description: High frequency electronic ballasts for the following lamps: (3 or 2) F32T8, (3) F25T8, (3) F17T8, (3) F25T12, (2) F40T8, and equivalent U-Shaped Lamps

- Line Voltage: 120vac, ±10%, 60Hz
- Instant Start
- Parallel Lamp Operation
- Passive Power Factor Correction

Lamps		Input Watts	Nominal Line Amps	Power Factor	Ballast Factor	Ballast Efficacy Factor	Harmonic Total	Crest Factor
Type	#							
F32T8	3	86	0.75	> .98	.88	1.02	< 20%	< 1.7
F32T8	2	69	0.59	> .95	1.03	1.49	< 25%	< 1.7
F25T8	3	70	0.60	> .95	.93	1.33	< 20%	< 1.7
F17T8	3	52	0.47	> .90	.99	1.90	< 32%	< 1.7
F40T8	2	82	0.73	> .98	.96	1.17	< 20%	< 1.7
F25T12	3	73	0.62	> .95	.91	1.25	< 20%	< 1.7

Application and Performance Specification Information Subject to Change without Notification.

Performance:

- Meets ANSI Standard C82.11-1993
- Meets ANSI Standard C62.41-1991
- Meets FCC Part 18 (Class A) for EMI and RFI Non-Consumer Limits

Safety:

- No PCB's
- UL listed (Class P, Type 1 Outdoor, Type HL)
- CSA Certified

Application:

- Minimum Starting Temperature: 0° F, -18° C
- Maximum Ambient Temperature: 105° F, 40° C
- Sound Rated: A
- Remote Mounting: 18 ft. max. lead length, 18 AWG
- Compatible with "Powerline Carrier" (PLC) Systems and/or infrared systems

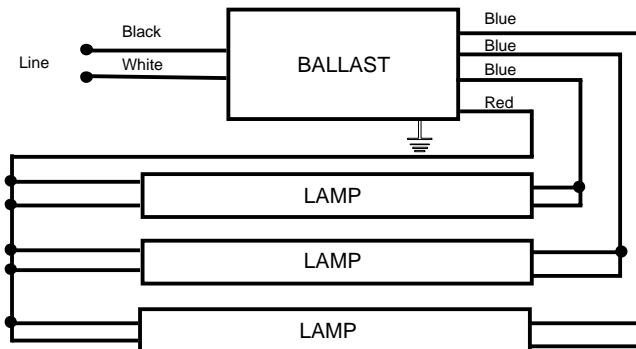
Physical Parameters

- Length: 9.50"
- Width: 1.70"
- Height: 1.18"
- Weight: 1.7 lbs.
- Lead Length: White, Black 25" (± 1")
- Red 48" (± 1")
- Blue 31" (± 1")

Warranty:

The manufacturer warrants to the purchaser that each electronic ballast will be free from defects in material or workmanship for a period of 5 years from date of manufacture when properly installed and under normal conditions of use.

Manufactured in North America



Ballast Must be Grounded

Note: For two lamp application, cap one blue lead, insulate to 600 volts